

» Kontron User's Guide «



SMARC-sAMX6i

Document Revision 1.1

» Table of Contents «

1	User Information.....	5
1.1	About This Document.....	5
1.2	Copyright Notice.....	5
1.3	Trademarks.....	5
1.4	Standards.....	5
1.5	Warranty.....	6
1.6	Technical Support.....	6
2	Introduction.....	7
2.1	Product Description.....	7
2.2	SMARC™ Computer-on-Modules.....	7
3	Product Specification.....	8
3.1	SMARC-sAMX6i Feature Set.....	8
3.2	Modules & Accessories.....	8
3.3	Functional Specification.....	10
3.4	Block Diagram.....	13
3.5	Electrical Specification.....	14
3.5.1	Supply Voltage.....	14
3.5.2	Power Supply Rise Time.....	14
3.5.3	Supply Voltage Ripple.....	14
3.6	Power Control.....	15
3.7	Power Consumption.....	15
3.8	RTC Current Consumption.....	16
3.8.1	Measurement Results.....	16
3.9	Environmental Specification.....	17
3.9.1	Temperature Specification.....	17
3.9.2	Humidity.....	17
3.10	Standards and Certifications.....	18
3.11	MTBF.....	19
3.12	Mechanical Specification.....	20
3.12.1	Module Dimension.....	20
3.12.2	Height on Top.....	20
3.12.3	Height on Bottom.....	20
3.12.4	Mechanical Drawing.....	20
3.12.5	Dimensions and mounting holes of SMARC-sAMX6.....	21
4	Connectors.....	22
4.1	SMARC™ Connector Top Side.....	22
4.2	SMARC™ Connector Bottom Side.....	26
5	Bootloader Operation.....	30
5.1	Copyrights and Licensing.....	30

5.1.1	Obtaining Source Code.....	30
5.2	Introduction to U-Boot.....	30
5.3	Standard U-Boot Commands.....	30
5.4	Kontron-Specific Commands.....	32
5.4.1	kboardinfo.....	32
5.4.2	md5sum.....	32
5.5	U-Boot Access and Startup.....	33
5.6	Environment.....	33
5.7	Working with U-Boot.....	33
5.7.1	General Operation.....	33
5.7.2	Using the Network.....	33
5.7.3	Using SD Cards and onboard eMMC device.....	34
5.8	Bootloader Update.....	35
5.8.1	Downloading the bootloader.....	35
5.8.2	Updating via TFTP Server.....	35
5.8.3	Updating via USB Stick.....	35
5.9	Bootlogo.....	35
5.10	Panel Control.....	36
5.11	OS Boot Select.....	37

1 User Information

1.1 About This Document

This document provides information about products from Kontron Europe GmbH and/or its subsidiaries. No warranty of suitability, purpose, or fitness is implied. While every attempt has been made to ensure that the information in this document is accurate, the information contained within is supplied "as-is" and is subject to change without notice.

For the circuits, descriptions and tables indicated, Kontron assumes no responsibility as far as patents or other rights of third parties are concerned.

1.2 Copyright Notice

Copyright © 2003-2015 Kontron Europe GmbH

All rights reserved. No part of this document may be reproduced, transmitted, transcribed, stored in a retrieval system, or translated into any language or computer language, in any form or by any means (electronic, mechanical, photocopying, recording, or otherwise), without the express written permission of Kontron Europe GmbH.

DIMM-PC®, PISA®, ETX®, ETXexpress®, microETXexpress®, X-board®, DIMM-IO® and DIMM-BUS® are trademarks or registered trademarks of Kontron Europe GmbH. Kontron is trademark or registered trademark of Kontron AG.

1.3 Trademarks

The following lists the trademarks of components used in this board.

- » IBM, XT, AT, PS/2 and Personal System/2 are trademarks of International Business Machines Corp.
- » Microsoft is a registered trademark of Microsoft Corp.
- » Intel is a registered trademark of Intel Corp.
- » All other products and trademarks mentioned in this manual are trademarks of their respective owners.

1.4 Standards

Kontron Europe GmbH is certified to ISO 9000 standards.

1.5 Warranty

For this Kontron Europe GmbH product warranty for defects in material and workmanship exists as long as the warranty period, beginning with the date of shipment, lasts. During the warranty period, Kontron Europe GmbH will decide on its discretion if defective products are to be repaired or replaced.

Within the warranty period, the repair of products is free of charge as long as warranty conditions are observed.

Warranty does not apply for defects arising/resulting from improper or inadequate maintenance or handling by the buyer, unauthorized modification or misuse, as well as the operation outside of the product's environmental specifications and improper installation and maintenance.

Kontron Europe GmbH will not be responsible for any defects or damages to other products not supplied by Kontron Europe GmbH that are caused by a faulty Kontron Europe GmbH product.

1.6 Technical Support

Technicians and engineers from Kontron Europe GmbH and/or its subsidiaries are available for technical support. We are committed to make our product easy to use and will help you use our products in your systems.

Please consult our Website at <http://www.kontron.com/support> for the latest product documentation, utilities, drivers and support contacts. Consult our customer section <http://emdcustomersection.kontron.com> for the latest BIOS downloads, Product Change Notifications, Board Support Packages, DemoImages, 3D drawings and additional tools and software. In any case you can always contact your board supplier for technical support.

2 Introduction

2.1 Product Description

The small-sized SMARC™ Module with Freescale i.MX6 processor offers a wide range of processor scalability with single, dual and quadcore processors. The X86 alike interfacing of SMARC-sAMX6i allows an easy integration in any kind of application.

2.2 SMARC™ Computer-on-Modules

The SMARC™ standard was developed especially for new modules with ARM- and SOC-processors and is characterized by the extremely flat build of its form factor. It is based on the MXM 3.0 connector with 314 pins and a construction height of just 4.3 millimeters and it thus allows robust and flatly constructed designs with a cost-effective card edge connector. The connector is also available in a shock- and vibration-resistant version for rough environmental conditions. Furthermore, the standard integrates dedicated interfaces for the latest ARM and SOC processors which not only means LVDS, 24-bit RGB and HDMI support but also support of embedded DisplayPort for future designs. In addition, and for the first time, dedicated camera interfaces are being incorporated into a COM standard. OEMs profit from minimized design effort and bill of material costs. SMARC™ defines two different module sizes in order to offer a high level of flexibility regarding different mechanical requirements: a short modules measuring 82 mm x 50 mm and a full-size module measuring 82 mm x 80 mm.

SMARC™ is the low-power embedded architecture platform for computer-on-modules based on ARM technology.

- » Creating mobile, embedded, connected solutions
- » Scalable building blocks
- » Optimized pin-out definition for ARM technology
- » Ultra low-power, low-profile solutions
- » Constructed to withstand harsh industrial environments

3 Product Specification

3.1 SMARC-sAMX6i Feature Set

SMARC™ Feature specification	SMARC™ Specification Maximum Number Possible	SMARC-sAMX6i Feature support	SMARC-sAMX6i Featuresupport instances
LVDS Display support	1	Yes	1
Parallel LCD support	1	Yes	1(24bit)
HDMI Display support	1	Yes	1
CSI Camera support (Dual and Quad lanes)	2	Yes	1 (Quad lane)
Parallel Camera support	2	Yes	1
USB Interface	3	Yes	3
PCIe Interface	3	Yes	1 (3 PCIe lanes can be realised optionally)
SATA Interface	1	Yes	1 (0 on module with i.MX6 solo)
GbE Interface	1	Yes	1
SDIO Interface (4bit)	1	Yes	1 (max. 25MHz)
SDMMC Interface (8bit)	1	Yes	1 (max. 25MHz)
SPI Interface	2	Yes	2
I2S Interface	3	Yes	1
I2C Interface	5	Yes	5
CAN	2	Yes	2
AFB	1	Yes	-
I/O Voltage (1.8V) level support	-	Yes	-
I/O Voltage (3.3V) level support	-	No	-

3.2 Modules & Accessories

The SMARC small sized Computer-on-Module SMARC-sAMX6i (SMX6) is compatible to SMARC V1.0. The SMARC-sAMX6i, based on Freescale's iMX6 platform, is available in different variants to cover the demand of different performance, price and power:

Part Number	Product Name	Processor	DDR3	Flash	SATA	PCIe bridge
51003-0540-08-1	SMARC-sAMX6i 0.8 512/4GB	Freescale i.MX6 solo, 800MHz, industrial grade	512MB	4GB SLC	-	-
51003-1040-08-2	SMARC-sAMX6i 2x0.8 1/4GB	Freescale i.MX6 dual, 800MHz, industrial grade	1GB	4GB SLC	YES	-
51003-1040-08-4	SMARC-sAMX6i 4x0.8 1/4GB	Freescale i.MX6 quad, 800MHz, industrial grade	1GB	4GB SLC	YES	-
51003-2040-08-8	SMARC-sAMX6i 4x0.8 1/4GB	Freescale i.MX6 quad, 800MHz, industrial grade	1GB	4GB SLC	YES	Yes

Memory and onboard Flash configurations 51003-MMFF-xx-x:

- » MM = 05: 512MB DDR3 Memory
- » MM = 10: 1024MB DDR3 Memory
- » MM = 20: 2048MB DDR3 Memory
- » FF = 00: without onboard eMMC
- » FF = 40: 4GB onboard eMMC (SLC)
- » FF = 80: 8GB onboard eMMC (SLC)
- » FF = 16: 16GB onboard eMMC (SLC)
- » FF = 32: 32GB onboard eMMC (SLC)



On request we can also offer MLC eMMC flash devices

Optional hardware features:

- » 3 PCIe instead of 1 lane
- » 3 I2S instead of 1 I2S, but then with only 16bit parallel LCD interface instead of 24bit
- » any other available pin compatible Freescale i.MX6 processor can be mounted



Optional hardware and firmware features are available project based only for variants not listed above. Please contact your local sales for customized articles.

Accessories

Product Number	Carrier Boards
51000-0000-00-0	SMARC Evaluation Carrier
51000-0000-00-S	SMARC Starter Kit
Product Number	Cooling & Mounting
51003-0000-99-1	HSP SMARC-sAMX6 full size

3.3 Functional Specification

Processor

CPU specifications

CPU	Freescall i.MX6 solo	Freescall i.MX6 dual	Freescall i.MX6 quad
Cores	1	2	2
Clock	800MHz	800MHz	800MHz
Memory Speed	DDR3-533	DDR3-533	DDR3-533
Max Memory	up to 1GB	up to 2GB	up to 2GB
Cache	512KB L2	1MB L2 + VFPv3	1MB L2 + VFPv3
GFX	Vivante	Vivante	Vivante
GFX core frequency	528MHz	528MHz	528MHz
IPUs (Image Processing Units)	1	2	2
LVDS	1×18/24bit	1×18/24bit	1×18/24bit
LVDS Resolution	up to 1366×768×60	up to 1366×768×60	up to 1366×768×60
Parallel LCD Resolution	up to TBD	up to 1920×1080×60	up to 1920×1080×60
HDMI Resolution	up to TBD	up to 1920×1200×60	up to 1920×1200×60
Independent Display Support	-	yes	yes

Memory

Sockets	memory down
Memory Type	DDR3
Maximum Size	2GB (1GB for Solo)
Technology	Single Channel (64bit) (32bit for Solo)

Graphics Core

The integrated Vivante core based supports:

3D Graphics Core	Vivante GC2000
Shader Cores	4 with 21.6 GFLOP
2D Core	Vivante GC320
2D Performance	633M pixels / sec raw performance
Vector Graphics Core	Vivate GC355
Maximum Resolution (total)	4096x4096
Maximum Pixel Rate	266 MP/s
API (DirectX/OpenGL)	OpenGL, OpenCL
Hardware accelerated Video	TBD
Independent/Simultaneous Displays	2
HDCP support	optional (HDCP 1.4)

LVDS

LVDS max Resolution:	WXGA @60Hz
PWM Backlight Control:	YES
Supported Panel Data:	TBD

Display Interfaces

Parallel Display Bits	24
Parallel Display Max. Resolution	WUXGA @60Hz (?)

HDMI

Max Resolution HDMI	1080p @ 60Hz
HDMI version	HDMI 1.4a
HDCP support	optional (HDCP 1.4)

Storage

onboard SSD	1x eMMC up to 64GB (MLC), 32GB (SLC)
SD Card / eMMC support	SDIO support via carrier board
Serial-ATA	1x SATA 3.0GB/s (only Quad/Dual)
SATA AHCI	-



SATA is not available on modules with i.MX6 solo processor.

Connectivity

USB	3x USB 2.0
PCI Express	1x PCIe x1
Max PCI Express	1x PCIe standard (3x optional with brige)
Ethernet	10/100/1000 Mbit
Ethernet controller	processor integrated (with Broadcom Phy)

Ethernet

The ethernet controller is in the processor integrated (with Broadcom Phy) and supports:

- » Jumbo Frames TBD
- » Time Sync Protocol Indicator TBD
- » PXE (Preboot eXecution Environment)

AFB Section

AFB Interface 1	MLB150
-----------------	--------

Misc Interfaces and Features

Audio	I2S interface
Miscellaneous	-
External I2C Bus	5x Fast I2C
Watchdog support	Single Staged
Bootselect pins	Uboot start only from external or internal SPI Operating System start can be controlled via boot select pins.

Power Features

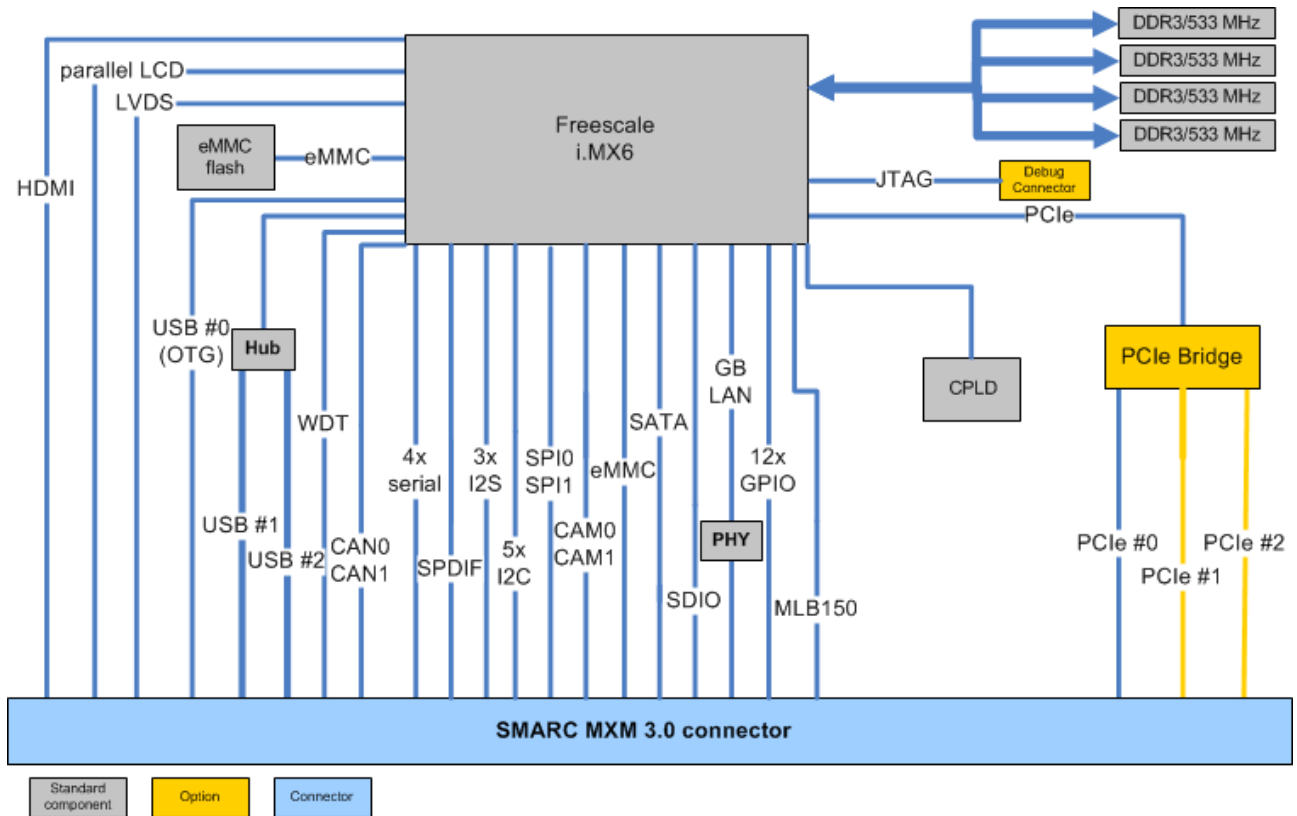
Singly Supply Support	YES
Supply Voltage	3.0-5,25V
Misc Power Management	-

Supported Operating Systems

The SMARC-sAMX6i supports:

- » Linux
- » Android (up on request only)
- » Microsoft Windows Embedded Compact (WEC7 and WEC2013)

3.4 Block Diagram



3.5 Electrical Specification

3.5.1 Supply Voltage

Following supply voltage is specified at the SMARCTM connector:

VCC:	3.0-5,25V
RTC:	2.5V - 3.3V

3.5.2 Power Supply Rise Time

- » The input voltages shall rise from $\leq 10\%$ of nominal to within the regulation ranges within 0.1ms to 20ms.
- » There must be a smooth and continuous ramp of each DC input voltage from 10% to 90% of its final set-point

3.5.3 Supply Voltage Ripple

- » Maximum 100 mV peak to peak 0 – 20 MHz

3.6 Power Control

Power Supply

The SMARC-sAMX6i supports a power input from 3.0-5,25V. The supply voltage is applied through the VCC pins (VCC) of the module connector.

Power Button (PWR_BTN#)

The power button (Pin P128) is available through the module connector described in the pinout list. To start the module via Power Button the PWRBTN# signal must be at least 50ms ($50\text{ms} \leq t < 4\text{s}$, typical 400ms) at low level (Power Button Event).

Pressing the power button for at least 4seconds will turn off power to the module (Power Button Override).

CB_POWER_BAD#

The SMARC-sAMX6i provides an external input for a Carrier Board Power Bad signal (Pin S150). The implementation of this subsystem complies with the SMARC Specification. CB_POWER_BAD# is internally pulled up to 3.3V and must be high level to power on the module.

Reset Button (RST_CB_IN#)

The reset button (Pin P127) is available through the module connector described in the pinout list. The module will stay in reset as long as RST_CB_IN# is grounded.

3.7 Power Consumption

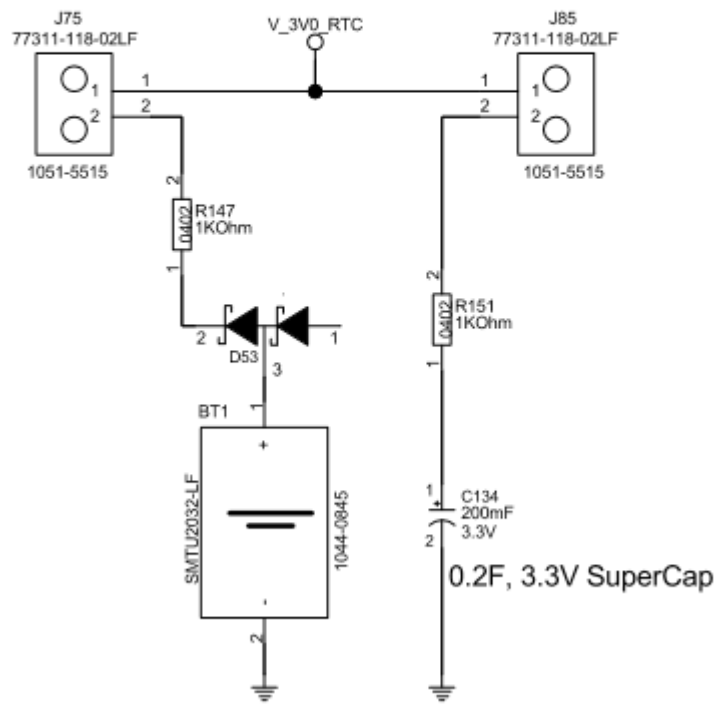
Following data provides power consumption measurements of single modules with i.MX6 solo (51003-0540-08-1) and i.MX6 quad (51003-1040-08-4).

PN	processor	linux shell	mem test
51003-0540-08-1	i.MX6 solo	2.46W	3.47W
51003-1040-08-4	i.MX6 quad	2.87W	4.52W

This might not be the maximum load a module can have, but due to the lack of standardized stress test software for ARM processors this data cannot be provided.

3.8 RTC Current Consumption

RTC Battery



Schematics of RTC circuit on SMARC Evaluation Carrier

3.8.1 Measurement Results

J75	J85	PWR_ON	PWR_OFF	Result (μ A)
-	-	-	X	0
-	X	-	X	0
X	-	-	X	32,76
X	-	X	-	0,11
-	X	X	-	0
-	-	X	-	0

3.9 Environmental Specification

3.9.1 Temperature Specification

General Specification	Operating	Non-operating
Commercial grade	0°C to +60°C	-30°C to +85°C
Extended (E1)	-25°C to +75°C	-30°C to +85°C
Industrial grade (E2)	-40°C to +85°C	-40°C to +85°C



Standard modules are available for industrial grade temperature range. Please see chapter Product Specification for available variants for extended or commercial temperate grade

With Kontron heatspreader plate assembly

The operating temperature defines two requirements:

- » the maximum ambient temperature with ambient being the air surrounding the module.
- » the maximum measurable temperature on any spot on the heatspreader's surface

Without Kontron heatspreader plate assembly

The operating temperature is the maximum measurable temperature on any spot on the module's surface.

3.9.2 Humidity

- » Operating: 10% to 90% (non condensing)
- » Non operating: 5% to 95% (non condensing)

3.10 Standards and Certifications

RoHS



The **SMARC-sAMX6i** is compliant to the directive 2002/95/EC on the restriction of the use of certain hazardous substances (RoHS) in electrical and electronic equipment.

CE marking



The **SMARC-sAMX6i** is CE marked according to Low Voltage Directive 2006/95/EC – Test standard EN60950

WEEE Directive

WEEE Directive 2002/96/EC is not applicable for Computer-on-Modules.

Conformal Coating

Conformal Coating is available for Kontron Computer-on-Modules and for validated SO-DIMM memory modules. Please contact your local sales or support for further details.

EMC

Validated in Kontron reference housing for EMC the **SMARC-sAMX6i** follows the requirements for electromagnetic compatibility standards

» EN55022

3.11 MTBF

The following MTBF (Mean Time Before Failure) values were calculated using a combination of manufacturer's test data, if the data was available, and the Telcordia (Bellcore) issue 2 calculation for the remaining parts.

The calculation method used is "Telcordia Method 1 Case 3" in a ground benign, controlled environment (GB,GC). This particular method takes into account varying temperature and stress data and the system is assumed to have not been burned in.

Other environmental stresses (extreme altitude, vibration, salt water exposure, etc) lower MTBF values.

System MTBF (hours): 209423 @ 40°C



Fans usually shipped with Kontron Europe GmbH products have 50,000-hour typical operating life. The above estimates assume no fan, but a passive heat sinking arrangement. Estimated RTC battery life (as opposed to battery failures) is not accounted for in the above figures and need to be considered separately. Battery life depends on both temperature and operating conditions. When the Kontron unit has external power; the only battery drain is from leakage paths.

3.12 Mechanical Specification

3.12.1 Module Dimension

» 50mm x 82mm

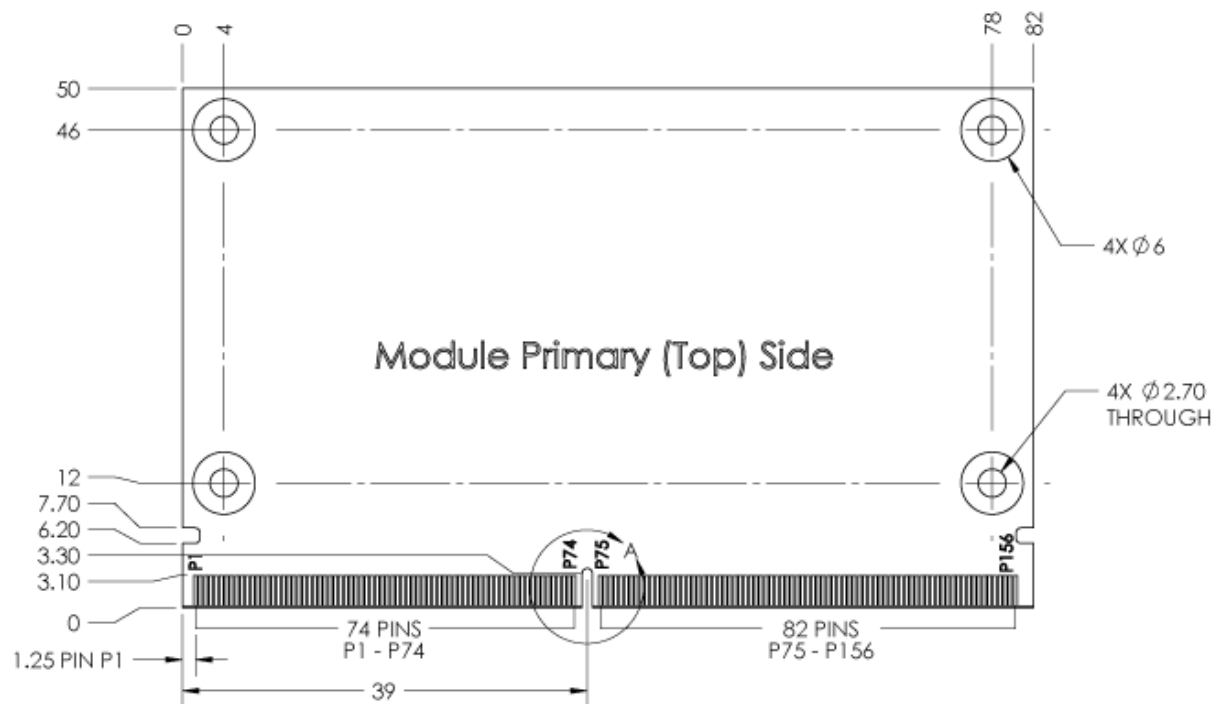
3.12.2 Height on Top

- » Maximum 3.0mm (without printed circuit board)
- » Height is depending on (optional) CPU cooler / heat spreader

3.12.3 Height on Bottom

» Maximum approx. 1.3mm (without printed circuit board)

3.12.4 Mechanical Drawing

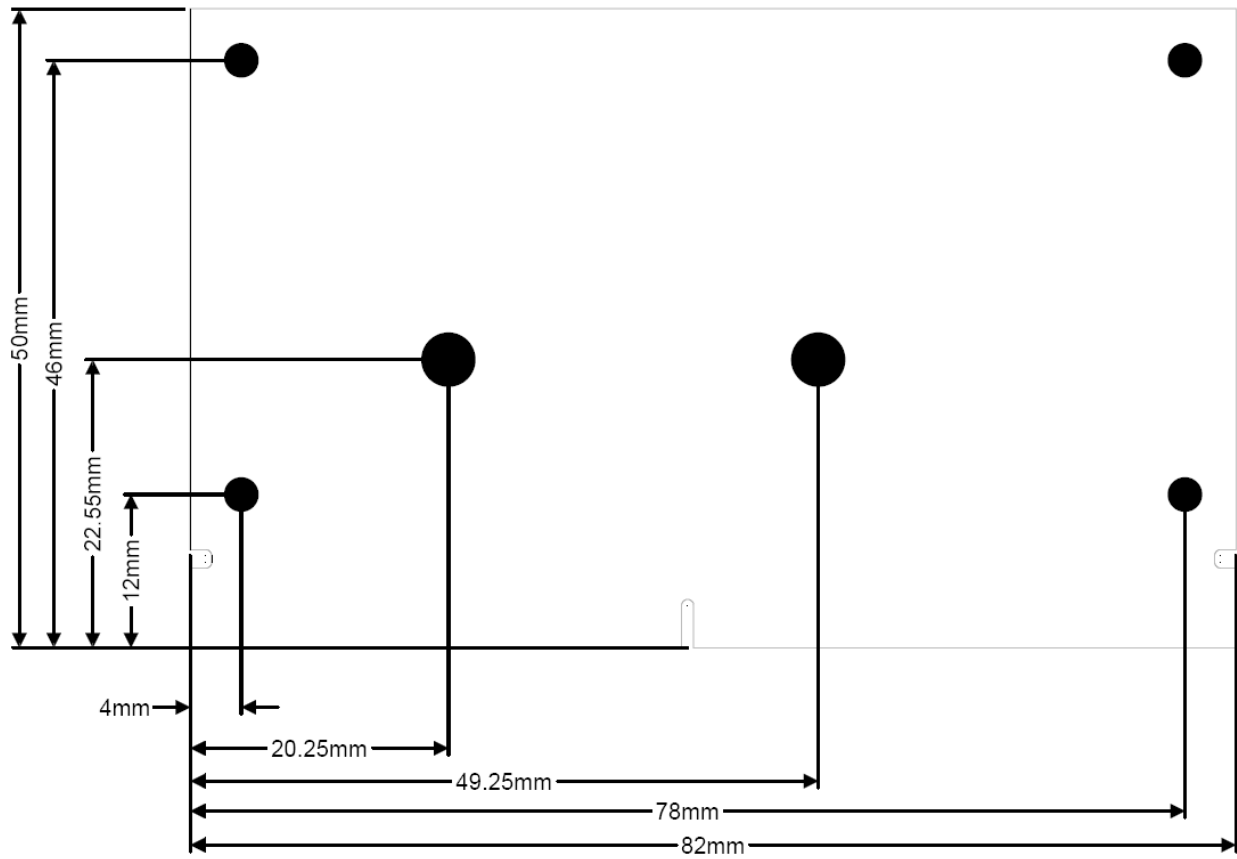


All dimensions are shown in millimeters. Tolerances should be $\pm 0.25\text{mm}$ [$\pm 0.010''$], unless otherwise noted.



CAD drawings will be available at [EMD CustomerSection](#)

3.12.5 Dimensions and mounting holes of SMARC-sAMX6



4 Connectors

The pinouts for Interface Connector are documented for convenient reference. Please see the SMARC Specification and SMARC Design Guide for detailed, design-level information.

4.1 SMARC™ Connector Top Side

Pin	Signal	Module Direction	Module Termination	Type/Tolerance	Controller	Controller Pin Name	Port(i.MX6 Quad/Dual)	Port(i.MX6 Solo)	I/O MUX Instance Quad/Solo	Power Rail
P1	PCAM_PXL_CK1	In	-	CMOS / VDD_IO	-	-	N.C.	N.C.	-	-
P2	GND	-	-	-	-	-	-	-	-	-
P3	CSI1_CK+ / PCAM_D0	In	-	LVDS D-PHY / VDD_IO	iMX6	EIM_A17	IPU2_CSI1_DATA 12	GPIO2_I021 (*1)	ALT2 / ALT5	V_VIO_S0
P4	CSI1_CK- / PCAM_D1	In	-	LVDS D-PHY / VDD_IO	iMX6	EIM_A18	IPU2_CSI1_DATA 13	GPIO2_I020 (*1)	ALT2 / ALT5	V_VIO_S0
P5	PCAM_DE	In	-	CMOS / VDD_IO	iMX6	EIM_D23	IPU2_CSI1_DATA_EN	GPIO3_I023 (*1)	ALT2 / ALT5	V_VIO_S0
P6	PCAM_MCK	Out	-	CMOS / VDD_IO	iMX6	GPIO_3	CCM_CLK02	CCM_CLK02	ALT4 / ALT4	V_VIO_S0
P7	CSI1_D0+ / PCAM_D2	In	-	LVDS D-PHY / VDD_IO	iMX6	EIM_A19	IPU2_CSI1_DATA 14	GPIO2_I019 (*1)	ALT2 / ALT5	V_VIO_S0
P8	CSI1_D0- / PCAM_D3	In	-	LVDS D-PHY / VDD_IO	iMX6	EIM_A20	IPU2_CSI1_DATA 15	GPIO2_I018 (*1)	ALT2 / ALT5	V_VIO_S0
P9	GND	-	-	-	-	-	-	-	-	-
P10	CSI1_D1+ / PCAM_D4	In	-	LVDS D-PHY / VDD_IO	iMX6	EIM_A21	IPU2_CSI1_DATA 16	GPIO2_I017 (*1)	ALT2 / ALT5	V_VIO_S0
P11	CSI1_D1- / PCAM_D5	In	-	LVDS D-PHY / VDD_IO	iMX6	EIM_A22	IPU2_CSI1_DATA 17	GPIO2_I016 (*1)	ALT2 / ALT5	V_VIO_S0
P12	GND	-	-	-	-	-	-	-	-	-
P13	CSI1_D2+ / PCAM_D6	In	-	LVDS D-PHY / VDD_IO	iMX6	EIM_A23	IPU2_CSI1_DATA 18	GPIO6_I006 (*1)	ALT2 / ALT5	V_VIO_S0
P14	CSI1_D2- / PCAM_D7	In	-	LVDS D-PHY / VDD_IO	iMX6	EIM_A24	IPU2_CSI1_DATA 19	GPIO5_I004 (*1)	ALT2 / ALT5	V_VIO_S0
P15	GND	-	-	-	-	-	-	-	-	-
P16	CSI1_D3+ / PCAM_D8	IN	-	LVDS D-PHY / VDD_IO	-	-	N.C.	N.C.	-	-
P17	CSI1_D3- / PCAM_D9	IN	-	LVDS D-PHY / VDD_IO	-	-	N.C.	N.C.	-	-
P18	GND	-	-	-	-	-	-	-	-	-
P19	GBE_MDI3-	Bi-Dir	-	GBE MDI	BCM54610	TRD3M	RGMII	RGMII	-	-
P20	GBE_MDI3+	Bi-Dir	-	GBE MDI	BCM54610	TRD3P	RGMII	RGMII	-	-
P21	GBE_LINK100#	Out / OD	-	VDD_IO	BCM54610 / CPLD	-	RGMII	RGMII	-	-
P22	GBE_LINK1000#	Out / OD	-	VDD_IO	BCM54610 / CPLD	-	RGMII	RGMII	-	-
P23	GBE_MDI2-	Bi-Dir	-	GBE MDI	BCM54610	TRD2M	RGMII	RGMII	-	-
P24	GBE_MDI2+	Bi-Dir	-	GBE MDI	BCM54610	TRD2P	RGMII	RGMII	-	-
P25	GBE_LINK_ACT#	Out / OD	-	VDD_IO	BCM54610 / CPLD	-	RGMII	RGMII	-	-
P26	GBE_MDI1-	Bi-Dir	-	GBE MDI	BCM54610	TRD1M	RGMII	RGMII	-	-
P27	GBE_MDI1+	Bi-Dir	-	GBE MDI	BCM54610	TRD1P	RGMII	RGMII	-	-
P28	GBE_CTREF	Out	-	V-Ref	100nF to GND	-	RGMII	RGMII	-	-
P29	GBE_MDIO-	Bi-Dir	-	GBE MDI	BCM54610	TRDOM	RGMII	RGMII	-	-
P30	GBE_MDIO+	Bi-Dir	-	GBE MDI	BCM54610	TRDOP	RGMII	RGMII	-	-
P31	SPIO_CS1#	Out	-	CMOS / VDD_IO	iMX6	EIM_D25	ECSPI4_SS3	-	ALT1 / ALT1	V_VIO_S0
P32	GND	-	-	-	-	-	-	-	-	-
P33	SDIO_WP	In	W-PU	CMOS 3.3V	iMX6	ENET_RXD1	GPIO1_I026	GPIO1_I026	ALT5 / ALT5	V_3V3_S0
P34	SDIO_CMD	Bi-Dir	PU-10k	CMOS 3.3V	iMX6	SD3_CMD	SD3_CMD	SD3_CMD	ALTO / ALTO	V_3V3_S0
P35	SDIO_CD#	In	PU-10k	CMOS 3.3V	iMX6	NANDF_CS1	GPIO6_I014	GPIO6_I014	ALT5 / ALT5	V_1V8_S0
P36	SDIO_CK	Out	-	CMOS 3.3V	iMX6	SD3_CLK	SD3_CLK	SD3_CLK	ALTO / ALTO	V_3V3_S0
P37	SDIO_PWR_EN	Out	-	CMOS 3.3V	iMX6	ENET_TXD1	GPIO1_I029	GPIO1_I029	ALT5 / ALT5	V_3V3_S0
P38	GND	-	-	-	-	-	-	-	-	-
P39	SDIO_D0	Bi-Dir	-	CMOS 3.3V	iMX6	SD3_DAT0	SD3_DATA0	SD3_DATA0	ALTO / ALTO	V_3V3_S0
P40	SDIO_D1	Bi-Dir	-	CMOS 3.3V	iMX6	SD3_DAT1	SD3_DATA1	SD3_DATA1	ALTO / ALTO	V_3V3_S0
P41	SDIO_D2	Bi-Dir	-	CMOS 3.3V	iMX6	SD3_DAT2	SD3_DATA2	SD3_DATA2	ALTO / ALTO	V_3V3_S0
P42	SDIO_D3	Bi-Dir	PD-300k	CMOS 3.3V	iMX6	SD3_DAT3	SD3_DATA3	SD3_DATA3	ALTO / ALTO	V_3V3_S0
P43	SPIO_CS0#	Out	-	CMOS / VDD_IO	CPLD	-	-	-	-	V_VIO_S5
-	-	-	-	-	iMX6	EIM_D29	ECSPI4_SS0	ECSPI4_SS0	ALT2 / ALT2	V_VIO_S0
-	-	-	-	-	iMX6	EIM_D24	ECSPI4_SS2	ECSPI4_SS2	ALT1 / ALT1	V_VIO_S0
P44	SPIO_CK	Out	Serial 20R	CMOS / VDD_IO	iMX6	EIM_D21	ECSPI4_SCLK	ECSPI4_SCLK	ALT1 / ALT1	V_VIO_S0

Pin	Signal	Module Direction	Module Termination	Type/Tolerance	Controller	Controller Pin Name	Port(i.MX6 Quad/Dual)	Port(i.MX6 Solo)	I/O MUX Instance Quad/Solo	Power Rail
P45	SPIO_DIN	In	Serial OR	CMOS / VDD_IO	iMX6	EIM_D22	ECSPI4_MISO	ECSPI4_MISO	ALT1 / ALT1	V_VIO_S0
P46	SPIO_DO	Out	Serial 20R	CMOS / VDD_IO	iMX6	EIM_D28	ECSPI4_MOSI	ECSPI4_MOSI	ALT2 / ALT2	V_VIO_S0
P47	GND	-	-	-	-	-	-	-	-	-
P48	SATA_TX+	Out	Serial 10nF	SATA	iMX6	SATA_TXP	-	-	-	-
P49	SATA_TX-	Out	Serial 10nF	SATA	iMX6	SATA_TXM	-	-	-	-
P50	GND	-	-	-	-	-	-	-	-	-
P51	SATA_RX+	In	-	SATA	iMX6	SATA_RXP	-	-	-	-
P52	SATA_RX-	In	-	SATA	iMX6	SATA_RXM	-	-	-	-
P53	GND	-	-	-	-	-	-	-	-	-
P54	SPI1_CS0#	Out	-	CMOS / VDD_IO	iMX6	EIM_RW	ECSPI2_SSO	ECSPI2_SSO	ALT2 / ALT2	V_VIO_S0
P55	SPI1_CS1#	Out	-	CMOS / VDD_IO	iMX6	EIM_LBA	ECSPI2_SS1	ECSPI2_SS1	ALT2 / ALT2	V_VIO_S0
P56	SPI1_CK	Out	-	CMOS / VDD_IO	iMX6	EIM_CS0	ECSPI2_SCLK	ECSPI2_SCLK	ALT2 / ALT2	V_VIO_S0
P57	SPI1_DIN	In	-	CMOS / VDD_IO	iMX6	EIM_OE	ECSPI2_MISO	ECSPI2_MISO	ALT2 / ALT2	V_VIO_S0
P58	SPI1_DO	Out	-	CMOS / VDD_IO	iMX6	EIM_CS1	ECSPI2_MOSI	ECSPI2_MOSI	ALT2 / ALT2	V_VIO_S0
P59	GND	-	-	-	-	-	-	-	-	-
P60	USB0+	Bi-Dir	-	USB	iMX6	USB_OTG_D P	-	-	-	-
P61	USB0-	Bi-Dir	-	USB	iMX6	USB_OTG_D N	-	-	-	-
P62	USB0_EN_OC#	Bi-Dir / OD	PU-10k	CMOS 3.3V	-	-	-	-	-	-
-	-	-	-	-	iMX6	CSIO_DATA_EN	GPIO5_I020	GPIO5_I020	ALT5 / ALT5	V_VIO_S0
-	-	-	-	-	iMX6	CSIO_PIXCLK	GPIO5_I018	GPIO5_I018	ALT5 / ALT5	V_VIO_S0
P63	USB0_VBUS_DET	In	PD-10k	CMOS 3.3V	Switch-3.3V	-	-	-	-	-
P64	USB0_OTG_ID	In	PD-100k	CMOS 3.3V	iMX6	GPIO_1	GPIO1_I001	GPIO1_I001	ALT5 / ALT5	V_VIO_S0
P65	USB1+	Bi-Dir	-	USB	-	-	-	-	-	-
-	-	-	-	-	iMX6	USB_H1_DP	-	-	-	-
-	-	-	-	-	USB2512	USB_HUB1_+	-	-	-	-
P66	USB1-	Bi-Dir	-	USB	-	-	-	-	-	-
-	-	-	-	-	iMX6	USB_H1_D N	-	-	-	-
-	-	-	-	-	USB2512	USB_HUB1_-	-	-	-	-
P67	USB1_EN_OC#	Bi-Dir	PU-10k	CMOS 3.3V	-	-	-	-	-	-
-	-	-	Serial-OR	-	USB2512	OCS1#	-	-	-	-
-	-	-	Serial-330R	-	USB2512	PRT_PWR1	-	-	-	-
-	-	-	Serial-OR	-	iMX6	EIM_D30	USB_H1_OC	USB_H1_OC	ALT6 / ALT6	V_VIO_S0
-	-	-	Serial-330R	-	iMX6	EIM_D31	USB_H1_PWR	USB_H1_PWR	ALT6 / ALT6	V_VIO_S0
P68	GND	-	-	-	-	-	-	-	-	-
P69	USB2+	-	-	USB	-	-	-	-	-	-
P70	USB2-	-	-	USB	-	-	-	-	-	-
P71	USB2_EN_OC#	-	PU-10k	CMOS 3.3V	-	-	-	-	-	-
-	-	-	Serial-OR	-	USB2512	OCS1#	-	-	-	-
-	-	-	Serial-330R	-	USB2512	PRT_PWR1	-	-	-	-
P72	PCIE_C_PRSNT#	In	PU-39k	CMOS 3.3V	iMX6	EIM_A16	GPIO2_I022	GPIO2_I022	ALT5 / ALT5	V_VIO_S0
P73	PCIE_B_PRSNT#	In	PU-39k	CMOS 3.3V	iMX6	EIM_D16	GPIO3_I016	GPIO3_I016	ALT5 / ALT5	V_VIO_S0
P74	PCIE_A_PRSNT#	In	PU-39k	CMOS 3.3V	iMX6	EIM_D18	GPIO3_I018	GPIO3_I018	ALT5 / ALT5	V_VIO_S0
-	<Key>	-	-	-	-	-	-	-	-	-
P75	PCIE_A_RST#	Out	-	CMOS 3.3V	CPLD	-	-	-	-	V_3V3_S5
-	-	-	-	-	iMX6	EIM_DA13	GPIO3_I013	GPIO3_I013	ALT5 / ALT5	V_VIO_S0
P76	PCIE_C_CKREQ#	In	PU-39k	CMOS 3.3V	iMX6	EIM_BCLK	GPIO6_I031	GPIO6_I031	ALT5 / ALT5	V_VIO_S0
P77	PCIE_B_CKREQ#	In	PU-39k	CMOS 3.3V	iMX6	EIM_EB0	GPIO2_I028	GPIO2_I028	ALT5 / ALT5	V_VIO_S0
P78	PCIE_A_CKREQ#	In	PU-39k	CMOS 3.3V	iMX6	EIM_EB1	GPIO2_I029	GPIO2_I029	ALT5 / ALT5	V_VIO_S0
P79	GND	-	-	-	-	-	-	-	-	-
P80	PCIE_C_REFCK+	Out	-	LVDS PCIe	PEX8605	PEX_REFCLK_OUT+3	-	-	-	-
P81	PCIE_C_REFCK-	Out	-	LVDS PCIe	PEX8605	PEX_REFCLK_OUT-3	-	-	-	-
P82	GND	-	-	-	-	-	-	-	-	-
P83	PCIE_A_REFCK+	Out	Serial-100n	LVDS PCIe	-	-	-	-	-	-
-	-	-	-	-	PEX8605	PEX_REFCLK_OUT+1	-	-	-	-
-	-	-	-	-	iMX6	CLK1+	-	-	-	-
P84	PCIE_A_REFCK-	Out	Serial-100n	LVDS PCIe	-	-	-	-	-	-
-	-	-	-	-	PEX8605	PEX_REFCLK_OUT-1	-	-	-	-

Pin	Signal	Module Direction	Module Termination	Type/Tolerance	Controller	Controller Pin Name	Port(i.MX6 Quad/Dual)	Port(i.MX6 Solo)	I/O MUX Instance Quad/Solo	Power Rail
-	-	-	-	-	iMX6	CLK1-	-	-	-	-
P85	GND	-	-	-	-	-	-	-	-	-
P86	PCIE_A_RX+	In	Serial-OR	LVDS PCIe	-	-	-	-	-	-
-	-	-	-	-	PEX8605	PEX_PER+[1]	-	-	-	-
-	-	-	-	-	iMX6	PCIE_RXP	-	-	-	-
P87	PCIE_A_RX-	In	Serial-OR	LVDS PCIe	-	-	-	-	-	-
-	-	-	-	-	PEX8605	PEX_PER-[1]	-	-	-	-
-	-	-	-	-	iMX6	PCIE_RXM	-	-	-	-
P88	GND	-	-	-	-	-	-	-	-	-
P89	PCIE_A_TX+	Out	Serial-100n	LVDS PCIe	-	-	-	-	-	-
-	-	-	-	-	PEX8605	PEX_PET+[1]	-	-	-	-
-	-	-	-	-	iMX6	PCIE_TXP	-	-	-	-
P90	PCIE_A_TX-	Out	Serial-100n	LVDS PCIe	-	-	-	-	-	-
-	-	-	-	-	PEX8605	PEX_PET-[1]	-	-	-	-
-	-	-	-	-	iMX6	PCIE_TXM	-	-	-	-
P91	GND	-	-	-	-	-	-	-	-	-
P92	HDMI_D2+	Out	-	TMDS	iMX6	HDMI_D2P	-	-	-	-
P93	HDMI_D2-	Out	-	TMDS	iMX6	HDMI_D2M	-	-	-	-
P94	GND	-	-	-	-	-	-	-	-	-
P95	HDMI_D1+	Out	-	TMDS	iMX6	HDMI_D1P	-	-	-	-
P96	HDMI_D1-	Out	-	TMDS	iMX6	HDMI_D1M	-	-	-	-
P97	GND	-	-	-	-	-	-	-	-	-
P98	HDMI_D0+	Out	-	TMDS	iMX6	HDMI_D0P	-	-	-	-
P99	HDMI_D0-	Out	-	TMDS	iMX6	HDMI_D0M	-	-	-	-
P100	GND	-	-	-	-	-	-	-	-	-
P101	HDMI_CLK+	Out	-	TMDS	iMX6	HDMI_CLKP	-	-	-	-
P102	HDMI_CLK-	Out	-	TMDS	iMX6	HDMI_CLKM	-	-	-	-
P103	GND	-	-	-	-	-	-	-	-	-
P104	HDMI_HPD	In	PU-39k	CMOS / VDD_IO	iMX6	HDMI_HPD	-	-	-	-
P105	HDMI_CTRL_CK	Out	PU-100k	CMOS / VDD_IO	iMX6	KEY_COL3	I2C2_SCL	I2C2_SCL	ALT4 / ALT4	V_VIO_S0
P106	HDMI_CTRL_DAT	Bi-Dir	PU-100k	CMOS / VDD_IO	iMX6	KEY_ROW3	I2C2_SDA	I2C2_SDA	ALT4 / ALT4	V_VIO_S0
-	-	Bi-Dir	PU-100k	CMOS / VDD_IO	iMX6	HDMI_DDCC EC	-	-	-	-
P107	HDMI_CEC	-	-	-	iMX6	EIM_A25	HDMI_TX_CEC_L INE	HDMI_TX_CEC_LIN E	ALT6 / ALT6	-
P108	GPIO0 / CAM0_PWR#	Bi-Dir	PU-470k	CMOS / VDD_IO	iMX6	EIM_DA0	GPIO3_I000	GPIO3_I000	ALT5 / ALT5	V_VIO_S0
P109	GPIO1 / CAM1_PWR#	Bi-Dir	PU-470k	CMOS / VDD_IO	iMX6	EIM_DA1	GPIO3_I001	GPIO3_I001	ALT5 / ALT5	V_VIO_S0
P110	GPIO2 / CAM0_RST#	Bi-Dir	PU-470k	CMOS / VDD_IO	iMX6	EIM_DA2	GPIO3_I002	GPIO3_I002	ALT5 / ALT5	V_VIO_S0
P111	GPIO3 / CAM1_RST#	Bi-Dir	PU-470k	CMOS / VDD_IO	iMX6	EIM_DA3	GPIO3_I003	GPIO3_I003	ALT5 / ALT5	V_VIO_S0
P112	GPIO4 / HDA_RST#	Bi-Dir	PU-470k	CMOS / VDD_IO	iMX6	EIM_DA4	GPIO3_I004	GPIO3_I004	ALT5 / ALT5	V_VIO_S0
P113	GPIO5 / PWM_OUT	Bi-Dir	PU-470k	CMOS / VDD_IO	iMX6	EIM_DA5	GPIO3_I005	GPIO3_I005	ALT5 / ALT5	V_VIO_S0
P114	GPIO6 / TACHIN	Bi-Dir	PU-470k	CMOS / VDD_IO	iMX6	EIM_DA6	GPIO3_I006	GPIO3_I006	ALT5 / ALT5	V_VIO_S0
P115	GPIO7 / PCAM_FLD	Bi-Dir	PU-470k	CMOS / VDD_IO	iMX6	EIM_DA7	GPIO3_I007	GPIO3_I007	ALT5 / ALT5	V_VIO_S0
P116	GPIO8 / CAN0_ERR #	Bi-Dir	PU-470k	CMOS / VDD_IO	iMX6	EIM_DA8	GPIO3_I008	GPIO3_I008	ALT5 / ALT5	V_VIO_S0
P117	GPIO9 / CAN1_ERR #	Bi-Dir	PU-470k	CMOS / VDD_IO	iMX6	EIM_DA9	GPIO3_I009	GPIO3_I009	ALT5 / ALT5	V_VIO_S0
P118	GPIO10	Bi-Dir	PU-470k	CMOS / VDD_IO	iMX6	EIM_DA10	GPIO3_I010	GPIO3_I010	ALT5 / ALT5	V_VIO_S0
P119	GPIO11	Bi-Dir	PU-470k	CMOS / VDD_IO	iMX6	EIM_DA11	GPIO3_I011	GPIO3_I011	ALT5 / ALT5	V_VIO_S0
P120	GND	-	-	-	-	-	-	-	-	-
P121	I2C_PM_CK	Out	PU-2k2	CMOS 1.8V	iMX6	GPIO_5	I2C3_SCL	I2C3_SCL	ALT6 / ALT6	V_VIO_S0
P122	I2C_PM_DAT	Bi-Dir	PU-2k2	CMOS 1.8V	iMX6	GPIO_16	I2C3_SDA	I2C3_SDA	ALT6 / ALT6	V_VIO_S0
P123	BOOT_SEL0#	In	W-PU	CMOS / VDD_IO	CPLD	-	-	-	-	V_VIO_S5
P124	BOOT_SEL1#	In	W-PU	CMOS / VDD_IO	CPLD	-	-	-	-	V_VIO_S5
P125	BOOT_SEL2#	In	W-PU	CMOS / VDD_IO	CPLD	-	-	-	-	V_VIO_S5
P126	RESET_OUT#	Out -OD	-	CMOS / VDD_IO	CPLD	-	-	-	-	V_VIO_S5
P127	RESET_IN#	In	W-PU	CMOS / VDD_IO	CPLD	-	-	-	-	V_VIO_S5
P128	POWER_BTN#	In	-	CMOS / VDD_IO	CPLD	-	-	-	-	V_VIO_S5
-	-	In	W-PU	CMOS / VDD_IO	iMX6	NANDF_CS3	GPIO6_I016	GPIO6_I016	ALT5 / ALT5	V_1V8_S0
P129	SERO_TX	Out	-	CMOS / VDD_IO	iMX6	CSIO_DAT10	UART1_TX_DATA	UART1_TX_DATA	ALT3 / ALT3	V_VIO_S0
P130	SERO_RX	In	W-PU	CMOS / VDD_IO	iMX6	CSIO_DAT11	UART1_RX_DATA	UART1_RX_DATA	ALT3 / ALT3	V_VIO_S0
P131	SERO_RTS#	Out	-	CMOS / VDD_IO	iMX6	EIM_D19	UART1_CTS_B	UART1_CTS_B	ALT4 / ALT4	V_VIO_S0
P132	SERO_CTS#	In	W-PU	CMOS / VDD_IO	iMX6	EIM_D20	UART1_RTS_B	UART1_RTS_B	ALT4 / ALT4	V_VIO_S0
P133	GND	-	-	-	-	-	-	-	-	-
P134	SER1_TX	Out	-	CMOS / VDD_IO	iMX6	EIM_D26	UART2_TX_DATA	UART2_TX_DATA	ALT4 / ALT4	V_VIO_S0

Pin	Signal	Module Direction	Module Termination	Type/Tolerance	Controller	Controller Pin Name	Port(i.MX6 Quad/Dual)	Port(i.MX6 Solo)	I/O MUX Instance Quad/Solo	Power Rail
P135	SER1_RX	In	W-PU	CMOS / VDD_IO	iMX6	EIM_D27	UART2_RX_DATA	UART2_RX_DATA	ALT4 / ALT4	V_VIO_S0
P136	SER2_TX	Out	-	CMOS / VDD_IO	iMX6	CSIO_DAT12	UART4_TX_DATA	UART4_TX_DATA	ALT3 / ALT3	V_VIO_S0
P137	SER2_RX	In	W-PU	CMOS / VDD_IO	iMX6	CSIO_DAT13	UART4_RX_DATA	UART4_RX_DATA	ALT3 / ALT3	V_VIO_S0
P138	SER2_RTS#	Out	-	CMOS / VDD_IO	iMX6	CSIO_DAT17	UART4_CTS_B	UART4_CTS_B	ALT3 / ALT3	V_VIO_S0
P139	SER2_CTS#	In	W-PU	CMOS / VDD_IO	iMX6	CSIO_DAT16	UART4_RTS_B	UART4_RTS_B	ALT3 / ALT3	V_VIO_S0
P140	SER3_TX	Out	-	CMOS / VDD_IO	iMX6	CSIO_DAT14	UART5_TX_DATA	UART5_TX_DATA	ALT3 / ALT3	V_VIO_S0
P141	SER3_RX	In	W-PU	CMOS / VDD_IO	iMX6	CSIO_DAT15	UART5_RX_DATA	UART5_RX_DATA	ALT3 / ALT3	V_VIO_S0
P142	GND	-	-	-	-	-	-	-	-	-
P143	CAN0_TX	Out	-	CMOS / VDD_IO	iMX6	GPIO_7	FLEXCAN1_TX	FLEXCAN1_TX	ALT3 / ALT3	V_VIO_S0
P144	CAN0_RX	In	W-PU	CMOS / VDD_IO	iMX6	GPIO_8	FLEXCAN1_RX	FLEXCAN1_RX	ALT3 / ALT3	V_VIO_S0
P145	CAN1_TX	Out	-	CMOS / VDD_IO	iMX6	KEY_COL4	FLEXCAN2_TX	FLEXCAN2_TX	ALTO / ALTO	V_VIO_S0
P146	CAN1_RX	In	W-PU	CMOS / VDD_IO	iMX6	KEY_ROW4	FLEXCAN2_RX	FLEXCAN2_RX	ALTO / ALTO	V_VIO_S0
P147	VDD_IN	PWR	-	-	-	-	-	-	-	3.0V-5.25V
P148	VDD_IN	PWR	-	-	-	-	-	-	-	3.0V-5.25V
P149	VDD_IN	PWR	-	-	-	-	-	-	-	3.0V-5.25V
P150	VDD_IN	PWR	-	-	-	-	-	-	-	3.0V-5.25V
P151	VDD_IN	PWR	-	-	-	-	-	-	-	3.0V-5.25V
P152	VDD_IN	PWR	-	-	-	-	-	-	-	3.0V-5.25V
P153	VDD_IN	PWR	-	-	-	-	-	-	-	3.0V-5.25V
P154	VDD_IN	PWR	-	-	-	-	-	-	-	3.0V-5.25V
P155	VDD_IN	PWR	-	-	-	-	-	-	-	3.0V-5.25V
P156	VDD_IN	PWR	-	-	-	-	-	-	-	3.0V-5.25V

4.2 SMARC™ Connector Bottom Side

Pin	Signal	Module Direction	Module Termination	Type/Tolerance	Controller	Controller Pin Name	Port(i.MX6 Quad/Dual)	Port(i.MX6 Solo)	I/O MUX Instance Quad/Solo	Power Rail
S1	PCAM_VSYNC	In	-	CMOS / VDD_IO	iMX6	EIM_DA12	IPU2_CSI1_V SYNC	GPI03_I012 (*1)	ALT2 / ALT5	V_VIO_S0
S2	PCAM_HSYNC	In	-	CMOS / VDD_IO	iMX6	EIM_EB3	IPU2_CSI1_H SYNC	GPI02_I031 (*1)	ALT2 / ALT5	V_VIO_S0
S3	GND	-	-	-	-	-	-	-	-	-
S4	PCAM_PXL_CK0	In	-	CMOS / VDD_IO	iMX6	EIM_D17	IPU2_CSI1_P IXCLK	GPI03_I017 (*1)	ALT2 / ALT5	V_VIO_S0
S5	I2C_CAM_CK	Out	PU-2k2	CMOS / VDD_IO	iMX6	GPIO_6	GPIO1_I006	GPIO1_I006	ALT5 / ALT5	V_VIO_S0
S6	CAM_MCK	Out	-	CMOS / VDD_IO	iMX6	CSIO_MCLK	CCM_CLK01	CCM_CLK01	ALT3 / ALT3	V_VIO_S0
S7	I2C_CAM_DAT	Bi-Dir	PU-2k2	CMOS / VDD_IO	iMX6	KEY_COL2	GPIO4_I010	GPIO4_I010	ALT5 / ALT5	V_VIO_S0
S8	CSIO_CK+ / PCAM_D10	In	-	LVDS D-PHY / VDD_IO	iMX6	CSI_CLK0P	-	-	-	V_2V5_VDDHIG H_CAP_S0
S9	CSIO_CK- / PCAM_D11	In	-	LVDS D-PHY / VDD_IO	iMX6	CSI_CLK0M	-	-	-	V_2V5_VDDHIG H_CAP_S0
S10	GND	-	-	-	-	-	-	-	-	-
S11	CSIO_D0+ / PCAM_D12	In	-	LVDS D-PHY / VDD_IO	iMX6	CSI_D0P	-	-	-	V_2V5_VDDHIG H_CAP_S0
S12	CSIO_D0- / PCAM_D13	In	-	LVDS D-PHY / VDD_IO	iMX6	CSI_D0M	-	-	-	V_2V5_VDDHIG H_CAP_S0
S13	GND	-	-	-	-	-	-	-	-	-
S14	CSIO_D1+ / PCAM_D14	In	-	LVDS D-PHY / VDD_IO	iMX6	CSI_D1P	-	-	-	V_2V5_VDDHIG H_CAP_S0
S15	CSIO_D1- / PCAM_D15	In	-	LVDS D-PHY / VDD_IO	iMX6	CSI_D1M	-	-	-	V_2V5_VDDHIG H_CAP_S0
S16	GND	-	-	-	-	-	-	-	-	-
S17	AFB0_OUT	Out	-	CMOS / VDD_IO	-	-	-	-	-	-
S18	AFB1_OUT	Out	-	CMOS / VDD_IO	-	-	-	-	-	-
S19	AFB2_OUT	Out	-	CMOS / VDD_IO	-	-	-	-	-	-
S20	AFB3_IN	In	-	CMOS / VDD_IO	-	-	-	-	-	-
S21	AFB4_IN	In	-	CMOS / VDD_IO	-	-	-	-	-	-
S22	AFB5_IN	In	-	CMOS / VDD_IO	-	-	-	-	-	-
S23	AFB6_PTIO	Bi-Dir	-	CMOS / VDD_IO protected	iMX6	CSIO_DAT18	GPIO6_I004	GPIO6_I004	ALT5 / ALT5	V_VIO_S0
S24	AFB7_PTIO	Bi-Dir	-	CMOS / VDD_IO protected	iMX6	CSIO_DAT19	GPIO6_I005	GPIO6_I005	ALT5 / ALT5	V_VIO_S0
S25	GND	-	-	-	-	-	-	-	-	-
S26	SDMMC_D0	Bi-Dir	-	CMOS / VDD_IO	iMX6	SD2_DAT0	SD2_DATA0	SD2_DATA0	ALT0 / ALT0	V_VIO_S0
S27	SDMMC_D1	Bi-Dir	-	CMOS / VDD_IO	iMX6	SD2_DAT1	SD2_DATA1	SD2_DATA1	ALT0 / ALT0	V_VIO_S0
S28	SDMMC_D2	Bi-Dir	-	CMOS / VDD_IO	iMX6	SD2_DAT2	SD2_DATA2	SD2_DATA2	ALT0 / ALT0	V_VIO_S0
S29	SDMMC_D3	Bi-Dir	-	CMOS / VDD_IO	iMX6	SD2_DAT3	SD2_DATA3	SD2_DATA3	ALT0 / ALT0	V_VIO_S0
S30	SDMMC_D4	Bi-Dir	PU-1k	CMOS / VDD_IO	iMX6	NANDF_D4	SD2_DATA4	SD2_DATA4	ALT1 / ALT1	V_1V8_S0
S31	SDMMC_D5	Bi-Dir	PU-1k	CMOS / VDD_IO	iMX6	NANDF_D5	SD2_DATA5	SD2_DATA5	ALT1 / ALT1	V_1V8_S0
S32	SDMMC_D6	Bi-Dir	PU-1k	CMOS / VDD_IO	iMX6	NANDF_D6	SD2_DATA6	SD2_DATA6	ALT1 / ALT1	V_1V8_S0
S33	SDMMC_D7	Bi-Dir	PU-1k	CMOS / VDD_IO	iMX6	NANDF_D7	SD2_DATA7	SD2_DATA7	ALT1 / ALT1	V_1V8_S0
S34	GND	-	-	-	-	-	-	-	-	-
S35	SDMMC_CK	Out	-	CMOS / VDD_IO	iMX6	SD2_CLK	SD2_CLK	SD2_CLK	ALT0 / ALT0	V_VIO_S0
S36	SDMMC_CMD	Bi-Dir	PU-10k	CMOS / VDD_IO	iMX6	SD2_CMD	SD2_CMD	SD2_CMD	ALT0 / ALT0	V_VIO_S0
S37	SDMMC_RST#	Out	-	CMOS / VDD_IO	CPLD	-	-	-	-	V_VIO_S5
S38	AUDIO_MCK	Out	-	CMOS / VDD_IO	iMX6	NANDF_CS2	CCM_CLK02	CCM_CLK02	ALT4 / ALT4	V_VIO_S0
S39	I2S0_LRCK	Bi-Dir	-	CMOS / VDD_IO	iMX6	CSIO_DAT6	AUD3_TXFS	AUD3_TXFS	ALT4 / ALT4	V_VIO_S0
S40	I2S0_SDOUT	Out	-	CMOS / VDD_IO	iMX6	CSIO_DAT5	AUD3_TXD	AUD3_TXD	ALT4 / ALT4	V_VIO_S0
S41	I2S0_SDIN	In	-	CMOS / VDD_IO	iMX6	CSIO_DAT7	AUD3_RXD	AUD3_RXD	ALT4 / ALT4	V_VIO_S0
S42	I2S0_CK	Bi-Dir	-	CMOS / VDD_IO	iMX6	CSIO_DAT4	AUD3_TXC	AUD3_TXC	ALT4 / ALT4	V_VIO_S0
S43	I2S1_LRCK	Bi-Dir	-	CMOS / VDD_IO	iMX6	DISPO_DAT22	AUD4_TXFS	AUD4_TXFS	ALT3 / ALT3	V_VIO_S0
S44	I2S1_SDOUT	Out	-	CMOS / VDD_IO	iMX6	DISPO_DAT21	AUD4_TXD	AUD4_TXD	ALT3 / ALT3	V_VIO_S0
S45	I2S1_SDDIN	In	-	CMOS / VDD_IO	iMX6	DISPO_DAT23	AUD4_RXD	AUD4_RXD	ALT3 / ALT3	V_VIO_S0
S46	I2S1_CK	Bi-Dir	-	CMOS / VDD_IO	iMX6	DISPO_DAT20	AUD4_TXC	AUD4_TXC	ALT3 / ALT3	V_VIO_S0
S47	GND	-	-	-	-	-	-	-	-	-
S48	I2C_GP_CK	Out	PU-2k2	CMOS / VDD_IO	iMX6	CSIO_DAT9	I2C1_SCL	I2C1_SCL	ALT4 / ALT4	V_VIO_S0
S49	I2C_GP_DAT	Bi-Dir	PU-2k2	CMOS / VDD_IO	iMX6	CSIO_DAT8	I2C1_SDA	I2C1_SDA	ALT4 / ALT4	V_VIO_S0
S50	I2S2_LRCK	Bi-Dir	-	CMOS / VDD_IO	iMX6	DISPO_DAT18	AUD5_TXFS	AUD5_TXFS	ALT3 / ALT3	V_VIO_S0
S51	I2S2_SDOUT	Out	-	CMOS / VDD_IO	iMX6	DISPO_DAT17	AUD5_TXD	AUD5_TXD	ALT3 / ALT3	V_VIO_S0
S52	I2S2_SDIN	In	-	CMOS / VDD_IO	iMX6	DISPO_DAT19	AUD5_RXD	AUD5_RXD	ALT3 / ALT3	V_VIO_S0
S53	I2S2_CK	Bi-Dir	-	CMOS / VDD_IO	iMX6	DISPO_DAT16	AUD5_TXC	AUD5_TXC	ALT3 / ALT3	V_VIO_S0
S54	SATA_ACT#	-	-	CMOS / VDD_IO	-	-	-	-	-	-

Pin	Signal	Module Direction	Module Termination	Type/Tolerance	Controller	Controller Pin Name	Port(i.MX6 Quad/Dual)	Port(i.MX6 Solo)	I/O MUX Instance Quad/Solo	Power Rail
S55	AFB8_PTIO	-	-	CMOS / VDD_IO	-	-	-	-	-	-
S56	AFB9_PTIO	-	-	CMOS / VDD_IO	-	-	-	-	-	-
S57	PCAM_ON_CSI0#	type	float	-	-	-	-	-	-	-
S58	PCAM_ON_CSI1#	type	GND	-	-	-	-	-	-	-
S59	SPDIF_OUT	Out	PU-2k2	CMOS / VDD_IO	iMX6	ENET_RXD0	SPDIF_OUT	SPDIF_OUT	ALT3 / ALT3	V_3V3_S0
S60	SPDIF_IN	In	PU-2k2	CMOS / VDD_IO	iMX6	ENET_RX_ER	SPDIF_IN	SPDIF_IN	ALT3 / ALT3	V_3V3_S0
S61	GND	-	-	-	-	-	-	-	-	-
S62	AFB_DIFF0+	Bi-Dir	-	LVDS_AFB	-	-	-	-	-	-
S63	AFB_DIFF0-	Bi-Dir	-	LVDS_AFB	-	-	-	-	-	-
S64	GND	-	-	-	-	-	-	-	-	-
S65	AFB_DIFF1+	Bi-Dir	-	LVDS_AFB	-	-	-	-	-	-
S66	AFB_DIFF1-	Bi-Dir	-	LVDS_AFB	-	-	-	-	-	-
S67	GND	-	-	-	-	-	-	-	-	-
S68	AFB_DIFF2+	Bi-Dir	-	LVDS_AFB	iMX6	MLB_CP	-	-	-	-
S69	AFB_DIFF2-	Bi-Dir	-	LVDS_AFB	iMX6	MLB_CN	-	-	-	-
S70	GND	-	-	-	-	-	-	-	-	-
S71	AFB_DIFF3+	Bi-Dir	-	LVDS_AFB	iMX6	MLB_DP	-	-	-	-
S72	AFB_DIFF3-	Bi-Dir	-	LVDS_AFB	iMX6	MLB_DN	-	-	-	-
S73	GND	-	-	-	-	-	-	-	-	-
S74	AFB_DIFF4+	Bi-Dir	-	LVDS_AFB	iMX6	MLB_SP	-	-	-	-
S75	AFB_DIFF4-	Bi-Dir	-	LVDS_AFB	iMX6	MLB_SN	-	-	-	-
-	<Key>	-	-	-	-	-	-	-	-	-
S76	PCIE_B_RST#	Out	-	CMOS 3.3V	CPLD	-	-	-	-	V_3V3_S5
-	-	-	-	-	iMX6	EIM_DA14	GPIO3_I014	GPIO3_I014	ALT5 / ALT5	V_VIO_S0
S77	PCIE_C_RST#	Out	-	CMOS 3.3V	CPLD	-	-	-	-	V_3V3_S5
-	-	-	-	-	iMX6	EIM_DA15	GPIO3_I015	GPIO3_I015	ALT5 / ALT5	V_VIO_S0
S78	PCIE_C_RX+	In	-	LVDS PCIe	PEX8605	PEX_PET+[3]	-	-	-	PEX_VDDA
S79	PCIE_C_RX-	In	-	LVDS PCIe	PEX8605	PEX_PET-[3]	-	-	-	PEX_VDDA
S80	GND	-	-	-	-	-	-	-	-	-
S81	PCIE_C_TX+	Out	Seriell-100n	LVDS PCIe	PEX8605	PEX_PET+[3]	-	-	-	PEX_VDDA
S82	PCIE_C_TX-	Out	Seriell-100n	LVDS PCIe	PEX8605	PEX_PET-[3]	-	-	-	PEX_VDDA
S83	GND	-	-	-	-	-	-	-	-	-
S84	PCIE_B_REFCK+	Out	-	LVDS PCIe	PEX8605	PEX_REFCLK_OU T+2	-	-	-	PEX_VDDA
S85	PCIE_B_REFCK-	Out	-	LVDS PCIe	PEX8605	PEX_REFCLK_OU T-2	-	-	-	PEX_VDDA
S86	GND	-	-	-	-	-	-	-	-	-
S87	PCIE_B_RX+	In	-	LVDS PCIe	PEX8605	PEX_PER+[2]	-	-	-	PEX_VDDA
S88	PCIE_B_RX-	In	-	LVDS PCIe	PEX8605	PEX_PER-[2]	-	-	-	PEX_VDDA
S89	GND	-	-	-	-	-	-	-	-	-
S90	PCIE_B_TX+	Out	Seriell-100n	LVDS PCIe	PEX8605	PEX_PET+[2]	-	-	-	PEX_VDDA
S91	PCIE_B_TX-	Out	Seriell-100n	LVDS PCIe	PEX8605	PEX_PET-[2]	-	-	-	PEX_VDDA
S92	GND	-	-	-	-	-	-	-	-	-
S93	LCD_D0	Out	-	CMOS / VDD_IO	iMX6	DISPO_DAT0	IPU1_DISPO_ DATA00	IPU1_DISPO_ DATA00	ALTO / ALTO	V_VIO_S0
S94	LCD_D1	Out	-	CMOS / VDD_IO	iMX6	DISPO_DAT1	IPU1_DISPO_ DATA01	IPU1_DISPO_ DATA01	ALTO / ALTO	V_VIO_S0
S95	LCD_D2	Out	-	CMOS / VDD_IO	iMX6	DISPO_DAT2	IPU1_DISPO_ DATA02	IPU1_DISPO_ DATA02	ALTO / ALTO	V_VIO_S0
S96	LCD_D3	Out	-	CMOS / VDD_IO	iMX6	DISPO_DAT3	IPU1_DISPO_ DATA03	IPU1_DISPO_ DATA03	ALTO / ALTO	V_VIO_S0
S97	LCD_D4	Out	-	CMOS / VDD_IO	iMX6	DISPO_DAT4	IPU1_DISPO_ DATA04	IPU1_DISPO_ DATA04	ALTO / ALTO	V_VIO_S0
S98	LCD_D5	Out	-	CMOS / VDD_IO	iMX6	DISPO_DAT5	IPU1_DISPO_ DATA05	IPU1_DISPO_ DATA05	ALTO / ALTO	V_VIO_S0
S99	LCD_D6	Out	-	CMOS / VDD_IO	iMX6	DISPO_DAT6	IPU1_DISPO_ DATA06	IPU1_DISPO_ DATA06	ALTO / ALTO	V_VIO_S0
S100	LCD_D7	Out	-	CMOS / VDD_IO	iMX6	DISPO_DAT7	IPU1_DISPO_ DATA07	IPU1_DISPO_ DATA07	ALTO / ALTO	V_VIO_S0
S101	GND	-	-	-	-	-	-	-	-	-
S102	LCD_D8	Out	-	CMOS / VDD_IO	iMX6	DISPO_DAT8	IPU1_DISPO_ DATA08	IPU1_DISPO_ DATA08	ALTO / ALTO	V_VIO_S0
S103	LCD_D9	Out	-	CMOS / VDD_IO	iMX6	DISPO_DAT9	IPU1_DISPO_ DATA09	IPU1_DISPO_ DATA09	ALTO / ALTO	V_VIO_S0
S104	LCD_D10	Out	-	CMOS / VDD_IO	iMX6	DISPO_DAT10	IPU1_DISPO_ DATA10	IPU1_DISPO_ DATA10	ALTO / ALTO	V_VIO_S0
S105	LCD_D11	Out	-	CMOS / VDD_IO	iMX6	DISPO_DAT11	IPU1_DISPO_ DATA11	IPU1_DISPO_ DATA11	ALTO / ALTO	V_VIO_S0
S106	LCD_D12	Out	-	CMOS / VDD_IO	iMX6	DISPO_DAT12	IPU1_DISPO_	IPU1_DISPO_	ALTO / ALTO	V_VIO_S0

Pin	Signal	Module Direction	Module Termination	Type/Tolerance	Controller	Controller Pin Name	Port(i.MX6 Quad/Dual)	Port(i.MX6 Solo)	I/O MUX Instance Quad/Solo	Power Rail
							DATA12	DATA12		
S107	LCD_D13	Out	-	CMOS / VDD_IO	iMX6	DISPO_DAT13	IPU1_DISP0_DATA13	IPU1_DISP0_DATA13	ALTO / ALTO	V_VIO_S0
S108	LCD_D14	Out	-	CMOS / VDD_IO	iMX6	DISPO_DAT14	IPU1_DISP0_DATA14	IPU1_DISP0_DATA14	ALTO / ALTO	V_VIO_S0
S109	LCD_D15	Out	-	CMOS / VDD_IO	iMX6	DISPO_DAT15	IPU1_DISP0_DATA15	IPU1_DISP0_DATA15	ALTO / ALTO	V_VIO_S0
S110	GND	-	-	-	-	-	-	-	-	-
S111	LCD_D16	Out	-	CMOS / VDD_IO	iMX6	DISPO_DAT16	IPU1_DISP0_DATA16	IPU1_DISP0_DATA16	ALTO / ALTO	V_VIO_S0
S112	LCD_D17	Out	-	CMOS / VDD_IO	iMX6	DISPO_DAT17	IPU1_DISP0_DATA17	IPU1_DISP0_DATA17	ALTO / ALTO	V_VIO_S0
S113	LCD_D18	Out	-	CMOS / VDD_IO	iMX6	DISPO_DAT18	IPU1_DISP0_DATA18	IPU1_DISP0_DATA18	ALTO / ALTO	V_VIO_S0
S114	LCD_D19	Out	-	CMOS / VDD_IO	iMX6	DISPO_DAT19	IPU1_DISP0_DATA19	IPU1_DISP0_DATA19	ALTO / ALTO	V_VIO_S0
S115	LCD_D20	Out	-	CMOS / VDD_IO	iMX6	DISPO_DAT20	IPU1_DISP0_DATA20	IPU1_DISP0_DATA20	ALTO / ALTO	V_VIO_S0
S116	LCD_D21	Out	-	CMOS / VDD_IO	iMX6	DISPO_DAT21	IPU1_DISP0_DATA21	IPU1_DISP0_DATA21	ALTO / ALTO	V_VIO_S0
S117	LCD_D22	Out	-	CMOS / VDD_IO	iMX6	DISPO_DAT22	IPU1_DISP0_DATA22	IPU1_DISP0_DATA22	ALTO / ALTO	V_VIO_S0
S118	LCD_D23	Out	-	CMOS / VDD_IO	iMX6	DISPO_DAT23	IPU1_DISP0_DATA23	IPU1_DISP0_DATA23	ALTO / ALTO	V_VIO_S0
S119	GND	-	-	-	-	-	-	-	-	-
S120	LCD_DE	Out	PD-10k	CMOS / VDD_IO	iMX6	DIO_PIN15	IPU1_DIO_PIN15	IPU1_DIO_PIN15	ALTO / ALTO	V_VIO_S0
S121	LCD_VS	Out	-	CMOS / VDD_IO	iMX6	DIO_PIN3	IPU1_DIO_PIN03	IPU1_DIO_PIN03	ALTO / ALTO	V_VIO_S0
S122	LCD_HS	Out	-	CMOS / VDD_IO	iMX6	DIO_PIN2	IPU1_DIO_PIN02	IPU1_DIO_PIN02	ALTO / ALTO	V_VIO_S0
S123	LCD_PCK	Out	-	CMOS / VDD_IO	iMX6	DIO_DISP_CLK	IPU1_DIO_DISP_CLK	IPU1_DIO_DISP_CLK	ALTO / ALTO	V_VIO_S0
S124	GND	-	-	-	-	-	-	-	-	-
S125	LVDS0+	Out	-	LVDS LCD	iMX6	LVDS_TX0_+	-	-	-	V_NVCC_LVDS2 P5
S126	LVDS0-	Out	-	LVDS LCD	iMX6	LVDS_TX0_-	-	-	-	V_NVCC_LVDS2 P5
S127	LCD_BKLT_EN	Out	-	CMOS / VDD_IO	iMX6	SD1_DAT0	GPIO1_I016	GPIO1_I016	ALT5 / ALT5	V_VIO_S0
S128	LVDS1+	Out	-	LVDS LCD	iMX6	LVDS0_TX1_+	-	-	-	V_NVCC_LVDS2 P5
S129	LVDS1-	Out	-	LVDS LCD	iMX6	LVDS0_TX1_-	-	-	-	V_NVCC_LVDS2 P5
S130	GND	-	-	-	-	-	-	-	-	-
S131	LVDS2+	Out	-	LVDS LCD	iMX6	LVDS0_TX2_+	-	-	-	V_NVCC_LVDS2 P5
S132	LVDS2-	Out	-	LVDS LCD	iMX6	LVDS0_TX2_-	-	-	-	V_NVCC_LVDS2 P5
S133	LCD_VDD_EN	Out	-	CMOS / VDD_IO	iMX6	SD1_DAT1	GPIO1_I017	GPIO1_I017	ALT5 / ALT5	V_VIO_S0
S134	LVDS_CK+	Out	-	LVDS LCD	iMX6	LVDS0_CLK_+	-	-	-	V_NVCC_LVDS2 P5
S135	LVDS_CK-	Out	-	LVDS LCD	iMX6	LVDS0_CLK_-	-	-	-	V_NVCC_LVDS2 P5
S136	GND	-	-	-	-	-	-	-	-	-
S137	LVDS3+	Out	-	LVDS LCD	iMX6	LVDS0_TX3_+	-	-	-	V_NVCC_LVDS2 P5
S138	LVDS3-	Out	-	LVDS LCD	iMX6	LVDS0_TX3_-	-	-	-	V_NVCC_LVDS2 P5
S139	I2C_LCD_CK	Out	PU-2k2	CMOS / VDD_IO	iMX6	SD1_DAT2	GPIO1_I019	GPIO1_I019	ALT5 / ALT5	V_VIO_S0
S140	I2C_LCD_DAT	Bi-Dir	PU-2k2	CMOS / VDD_IO	iMX6	SD1_DAT3	GPIO1_I021	GPIO1_I021	ALT5 / ALT5	V_VIO_S0
S141	LCD_BKLT_PWM	Out	-	CMOS / VDD_IO	iMX6	SD1_CMD	PWM4_OUT	PWM4_OUT	ALT2 / ALT2	V_VIO_S0
S142	LCD_DUAL_PCK	Out	-	CMOS / VDD_IO	-	-	-	-	-	-
S143	GND	-	-	-	-	-	-	-	-	-
S144	RSVD / EDP_HPD	-	-	RSVD	-	-	-	-	-	-
S145	WDT_TIME_OUT#	Out	-	CMOS / VDD_IO	iMX6	GPIO_9	WDOG1_B	WDOG1_B	ALT1 / ALT1	V_VIO_S0
S146	PCIE_WAKE #	In	W-PU	CMOS 3.3V	iMX6	SD3_DAT6	GPIO6_I018	-	ALT5 / ALT5	V_3V3_S0
-	-	-	-	-	PEX8605	WAKE#	-	-	-	V_3V3_S0
S147	VDD_RTC	-	-	PWR	-	-	-	-	-	-
S148	LID#	In	W-PU	CMOS / VDD_IO	iMX6	EIM_WAIT	GPIO5_I000	GPIO5_I000	ALT5 / ALT5	V_VIO_S0
S149	SLEEP#	In	W-PU	CMOS / VDD_IO	iMX6	SD3_DAT7	GPIO6_I017	GPIO6_I017	ALT5 / ALT5	V_3V3_S0
S150	VIN_PWR_BAD#	In	W-PU	CMOS / VDD_IO	CPLD	-	-	-	-	V_VIO_S0
S151	CHARGING#	In	W-PU	CMOS / VDD_IO	iMX6	GPIO_17	GPIO7_I012	GPIO7_I012	ALT5 / ALT5	V_VIO_S0

Pin	Signal	Module Direction	Module Termination	Type/Tolerance	Controller	Controller Pin Name	Port(i.MX6 Quad/Dual)	Port(i.MX6 Solo)	I/O MUX Instance Quad/Solo	Power Rail
S152	CHARGER_PRSENT#	In	W-PU	CMOS / VDD_IO	iMX6	GPIO_0	GPIO1_I000	GPIO1_I000	ALT5 / ALT5	V_VIO_S0
S153	CARRIER_STBY#	Out	-	CMOS / VDD_IO	iMX6	SD1_CLK	GPIO1_I020	GPIO1_I020	ALT5 / ALT5	V_VIO_S0
S154	CARRIER_PON	Out	PD-10k	CMOS / VDD_IO	CPLD	-	-	-	-	V_VIO_S5
S155	FORCE_RECOV#	In	W-PU	CMOS / VDD_IO	CPLD	-	-	-	-	V_VIO_S5
S156	BATLOW#	In	W-PU	CMOS / VDD_IO	iMX6	DIO_PIN4	GPIO4_I020	GPIO4_I020	ALT5 / ALT5	V_VIO_S0
S157	TEST#	In	W-PU	CMOS / VDD_IO	iMX6	CSIO_VSYNC	GPIO5_I021	GPIO5_I021	ALT5 / ALT5	V_VIO_S0
S158	VDD_IO_SEL_D#	Bi-Dir	-	Strap / VDD_IN	CPLD	-	-	-	-	V_VIO_S5
-	-	In	W-PU	CMOS / VDD_IO	iMX6	GPIO_2	GPIO1_I002	GPIO1_I002	ALT5 / ALT5	V_VIO_S0

5 Bootloader Operation

5.1 Copyrights and Licensing

U-Boot is Free Software. It is copyrighted by Wolfgang Denk and many others who contributed code (see the actual source code for details). You can redistribute U-Boot and/or modify it under the terms of version 2 of the GNU General Public License as published by the Free Software Foundation. Most of it can also be distributed, at your option, under any later version of the GNU General Public License – see individual files for exceptions.

NOTE! This license does **not** cover the so-called “standalone” applications that use U-Boot services by means of the jump table provided by U-Boot exactly for this purpose - this is merely considered normal use of U-Boot, and does **not** fall under the heading of “derived work”.

The header files “include/image.h” and “include/asm-*/u-boot.h” define interfaces to U-Boot. Including these (unmodified) header files in another file is considered normal use of U-Boot, and does **not** fall under the heading of “derived work”.

Also note that the GPL below is copyrighted by the Free Software Foundation, but the instance of code that it refers to (the U-Boot source code) is copyrighted by me and others who actually wrote it.

– Wolfgang Denk

The valid license is the GNU general public license 2.0 which can be obtained under following [link](#).

5.1.1 Obtaining Source Code

The software included in this product contains copyrighted software that is licensed under the GPL. A copy of that license can be found [here](#). You may obtain the complete Corresponding Source code from Kontron for a period of three years after our last shipment of this product. Please contact Kontron Support for further assistance in obtaining the source code.

5.2 Introduction to U-Boot

U-Boot is an open source boot loader software developed and maintained by DENX Software Engineering GmbH (<http://www.denx.de>). Kontron provides U-Boot with all its standard features as well as Kontron specific features for usage with Kontron’s SMARC-sAMX6i.

This user guide provides specific information on Kontron’s implementation of U-Boot and its usage. Please refer to the DENX website for up-to-date on-line documentation of all of U-Boot’s standard features.

5.3 Standard U-Boot Commands

U-Boot is provided with a library of standard commands for which documentation is provided on the DENX website. Some of the below listed standard commands have sub-groups which can be displayed when help for the main group command is requested.

Where relevant, further information concerning the usage of standard commands is provided in this guide to assist users in performing specific functions.

COMMAND	DESCRIPTION
?	Alias for 'help'
base	Print or set address offset
bdinfo	Print Board Info structure
bmp	manipulate BMP image data
boot	Boot default, i.e., run 'bootcmd'
bootd	Boot default, i.e., run 'bootcmd'
bootelf	Boot from an ELF image in memory
bootm	Boot application image from memory
bootp	Boot image via network using BOOTP/TFTP protocol
bootvx	Boot vxWorks from an ELF image

clocks	Display clocks
clrlogo	Fill the boot logo area with black
cmp	Memory compare
coninfo	Print console devices and information
cp	Memory copy
crc32	Checksum calculation
dcache	enable or disable data cache
dhcp	Boot image via network using DHCP/TFTP protocol
echo	Echo args to console
editenv	Edit environment variable
env	Environment handling commands
exit	Exit script
ext2load	Load binary file from a Ext2 filesystem
ext2ls	List files in a directory (default /)
false	Do nothing, unsuccessfully
fatinfo	Print information about filesystem
fatload	Load binary file from a dos filesystem
fatls	List files in a directory (default /)
fdt	Flattened device tree utility commands
go	Start application at address 'addr'
gpio	input/set/clear/toggle gpio pins
grepenv	search environment variables
help	Print command description/usage
i2c	I2C subsystem
icache	enable or disable instruction cache
iminfo	Print header information for application image
imxotp	One-Time Programmable sub-system for i.MX processors
imxtract	Extract a part of a multi-image
itest	Return true/false on integer compare
loadb	Load binary file over serial line (kermit mode)
loads	Load S-Record file over serial line
loady	Load binary file over serial line (ymodem mode)
loop	Infinite loop on address range
ls	List files in a directory (default /)
md	Memory display
mdio	MDIO utility commands
mii	MII utility commands
mm	Memory modify (auto-incrementing address)
mmc	MMC sub system
mmcinfo	Display MMC info
mtest	Simple RAM read/write test
mw	Memory write (fill)
nfs	boot image via network using NFS protocol
nm	Memory modify (constant address)
pci	List and access PCI Configuration Space
ping	Send ICMP ECHO_REQUEST to network host
printenv	Print environment variables
reset	Perform RESET of the CPU
run	Run commands in an environment variable
sata	SATA sub system
saveenv	Save environment variables to persistent storage
saves	Save S-Record file over serial line
setenv	Set environment variables
setexpr	Set environment variable as the result of eval expression
sf	SPI flash subsystem
showvar	Print local hushshell variables
sleep	Delay execution for some time
source	Run script from memory
test	Minimal test like /bin/sh
tftpboot	Boot image via network using TFTP protocol
true	Do nothing, successfully
usb	USB sub-system
usbboot	boot from USB device
version	Print monitor, compiler and linker version

5.4 Kontron-Specific Commands

Kontron's implementation of U-Boot includes certain enhancements to provide specific functions not incorporated in the standard U-Boot. The following table provides a complete listing of all Kontron-specific U-Boot commands implemented on the SMARC-sAMX6i.

COMMAND	DESCRIPTION
kboardinfo	Kontron Board Information - Displays a summary of board and configuration information
md5sum	Creates or checks the md5 message digest over a memory area

The following lines provide command syntax reference information, a short description, and, in some cases, usage examples. Where an ellipsis (...) appears in the command syntax, it means that the command is continued on the next line. Observe spaces before the ellipsis.

5.4.1 kboardinfo

Displays a summary of board and configuration information

Syntax

```
kboardinfo
```

Description

This command collects information from various board sources and provides a summary listing of this information.

Usage

```
==> kboardinfo
Manufacturer:      Kontron Europe GmbH
Product name:     SMARC-sAMX6i
Material number:  1052-9986
Serial number:    UHD050004
Manufacturer Date: ^C09/20/2013
Revision:         020
CPU:              Freescale i.MX6Q rev1.1 at 792 MHz
==>
```

5.4.2 md5sum

Creates or checks the md5 message digest over a memory area

Syntax

```
md5sum <data-address> <length> [<cksum-address>]
```

-md5sum	command
-<data-address>	parameter: hexadecimal start address of memory area
-<length>	parameter: hexadecimal length of memory area
-<cksum-address>	parameter: hexadecimal If present: compares the calculated md5 message digest with the md5 message digest available at this address. If absent: calculates the md5 message digest over the specified memory range and prints it to the console.

Description

This command is used to create or check the md5 message digest over a memory area.

If the optional 3rd parameter <checksum-address> is omitted, the md5 message digest is calculated over the specified memory range and printed to the console.

If the optional 3rd parameter <cksum-address> is specified, the md5 message digest is calculated over the specified

memory range and compared with the md5 message digest at <cksum-address>. If the digest is identical, the command returns 0; if the digests do not match, a value other than zero is returned. When a comparison is made, nothing is printed to the console since this usage of the command is meant to be used within scripts.

The md5 message digest at <cksum-address> may be specified in ASCII or binary format.

Usage

Calculate an md5 message digest: Check the md5 message digest of a file previously loaded to 100000 with a size of 80000 and its md5 message digest loaded to 10000 in a script

```
=> setenv check_crc "if md5sum 100000 80000 10000; then echo 'md5 message
digest OK'; else echo 'md5 message digest BAD'; fi"
=>run check_crc
md5 message digest OK
=>
```

5.5 U-Boot Access and Startup

Communication with U-Boot is achieved via a serial console configured for 115200 baud, 8N1, no hardware handshake. Initially, U-Boot executes the commands defined in the environment variable "preboot". Then, if not otherwise interrupted, U-Boot pauses for the time defined in the environment variable "bootdelay" and then executes the statements stored in the environment variable "bootcmd". To gain access to the U-Boot command prompt, type in any single character during the boot delay time.

If required, the boot delay function can be configured in such a way that even when the boot delay is set to "0" to have characters, which are sent over the serial interface prior to the boot wait time, be recognized to allow operator intervention in the boot process.

5.6 Environment

The Environment is stored in the same flash as U-Boot, usually in the last sector. This provides the possibility to update U-Boot without changing the Environment. The environment can be modified by the user with the typical commands of the 'env' command group: 'setenv', 'editenv', 'printenv' and 'saveenv'.

Furthermore, if a larger number of boards require updating the environment can be updated by a script, loaded from the SD card, USB or SATA device, or a network.

A typical user modification would be to set the variable 'bootcmd' so that the user's OS will boot automatically.

5.7 Working with U-Boot

5.7.1 General Operation

Most operations are carried out using the main memory as an intermediate step. It is not possible, for example, to boot a kernel image directly from a tftp server. Instead, the kernel image is first loaded to memory and then booted from there with another command.

The same is true when writing new contents to the SPI boot flashes.

This concept is very flexible since it separates the commands which handle the loading of data from the commands that carry out actions like booting or programming flash devices.

5.7.2 Using the Network

U-Boot provides support for the onboard Ethernet interfaces for transferring files from a file server.

To be able to transfer files from a tftp server to a module, the module's IP address (environment variable 'ipaddr') and the IP address of the server must be set (environment variable 'serverip'). Alternatively, it is possible to use the 'dhcp' or 'bootp' commands.

They can be set using the 'setenv' command. Please note, that these settings are lost after a reset. To retain the environment permanently, use the command 'saveenv', which saves the complete environment to flash.

To transfer a file from a tftp server to memory, the 'tftpboot' command is used, for example:

```
> tftpboot 10800000 filename
```

5.7.3 Using SD Cards and onboard eMMC device

SD Cards are supported (read only) with the 'ext2' or 'fat' file system.

In both cases, the card must be rescanned first.

```
> mmc rescan 0
```

After that, the contents can be verified with:

```
> ext2ls mmc 0
```

in case of the ext2 file system, or

```
> fatls mmc 0
```

in case of the fat file system.

To load a file into memory the commands 'ext2load' or 'fatload' can be used, for example:

```
> ext2load mmc 0 10800000 kernel.bin
```

which loads the file 'kernel.bin' from the SD card to memory address 0x10800000.

5.8 Bootloader Update

Updating the bootloader of SMARC-sAMX6i can be done by using the already implemented update script.

5.8.1 Downloading the bootloader

Please download the regarding bootloader from [Kontron's Customer Section](#).

5.8.2 Updating via TFTP Server

If you have a development setup with TFTP Server please unpack the downloaded archive to your server's folder. There should be a folder named "update_smx6".

Restoring Environment

If your U-Boot environment is misconfigured you can restore it with following commands:

```
> tftp 10800000 amx6-(correct name of the environment).txt
> env import -d -t 10800000 $filesize
> saveenv
> reset
```

Running Update Script

To start the update script please enter following command:

```
> run netupdate
```



With the option "-d" of the env import command you will lose all your previous made environmental settings.

5.8.3 Updating via USB Stick

Unpack the downloaded archive to a USB stick's first partition. There should be a folder named "update_smx6".

Please enter following command:

```
> run update
```

5.9 Bootlogo

During starting of U-Boot, splash image from SPI-flash offset 0x100000 is loaded to RAM and afterwards displayed on graphical panel on LVDS bus. U-Boot also supports compressed splash image with using gzip file format. A small Kontron Logo will be displayed, in case of lack of Splash Screen image in the SPI-flash. A Kontron Bootlogo can be shown on an LVDS panel only. To control the bootlogo behaviour following commands can be used:

```
> setenv panel LCD_WVGA@LVDS
```

Outputs the bootlogo on LVDS in panel resolution 800×480

```
> setenv panel LCD_WXGA@LVDS
```

Outputs the bootlogo on LVDS in panel resolution 1280×768

```
> setenv panel off
```

Disable LVDS output

```
> setenv panel
```

Outputs the bootlogo on LVDS in panel resolution 800×480 shipping default (variable unset)

To save the setting for the next boot, please save your environment with

```
> saveenv
```

The bootlogo can be not exchanged to another bitmap.

5.10 Panel Control

Support for various type of panel by setting environmental variable “panel”. List of supported panels:

- » LCD_800x480@LVDS (default)
- » LCD_320x240@LVDS
- » LCD_480x272@LVDS
- » LCD_480x320@LVDS
- » LCD_640x480@LVDS
- » LCD_800x600@LVDS
- » LCD_960x640@LVDS
- » LCD_1024x576@LVDS
- » LCD_1024x600@LVDS
- » LCD_1024x768@LVDS
- » LCD_1152x768@LVDS
- » LCD_1152x864@LVDS
- » LCD_1280x720@LVDS
- » LCD_1280x768@LVDS
- » LCD_1280x800@LVDS
- » LCD_1280x1024@LVDS
- » LCD_1360x768@LVDS
- » LCD_1366x768@LVDS
- » user

With using variable “panel_lvds_clk” - clock on LVDS bus in [MHz] can be adjusted value of a LVDS clock. In case of user mode i.e. “panel=user” resolution of the display can be adjusted with using variables:

- » panel_x_res > horizontal resolution in [pixels]
- » panel_y_res → vertical resolutions in [pixels]

5.11 OS Boot Select

Loading the OS from a storage define by BOOT_SEL[2:0] pins i.e. :

#	BOOT_SEL2#	BOOT_SEL1#	BOOT_SELO#	Boot Source
0	GND	GND	GND	Carrier SATA
1	GND	GND	Float	Carrier SD Card
2	GND	Float	GND	Carrier eMMC Flash
3	GND	Float	Float	Carrier SPI
4	Float	GND	GND	Not supported
5	Float	GND	Float	Remote boot (GBE)
6	Float	Float	GND	Module eMMC Flash
7	Float	Float	Float	Module SPI

The BOOT_SEL pins control the content of the environment variable "bootsel_script".

Corporate Offices

<p>Europe, Middle East & Africa Lise-Meitner-Str. 3-5 86156 Augsburg Germany Tel.: +49 (0)821/ 4086-0 Fax: +49 (0)821/ 4086-111 info@kontron.com</p>	<p>North America 14118 Stowe Drive Poway, CA 92064-7147 USA Tel.: +1 888 294 4558 Fax: +1 858 677 0898 info@us.kontron.com</p>	<p>Asia Pacific 17 Building, Block #1, ABP. 188 Southern West 4th Ring Beijing 100070, P.R.China Tel.: + 86 10 63751188 Fax: + 86 10 83682438 info@kontron.cn</p>	
---	--	---	---