

8

7

6

5

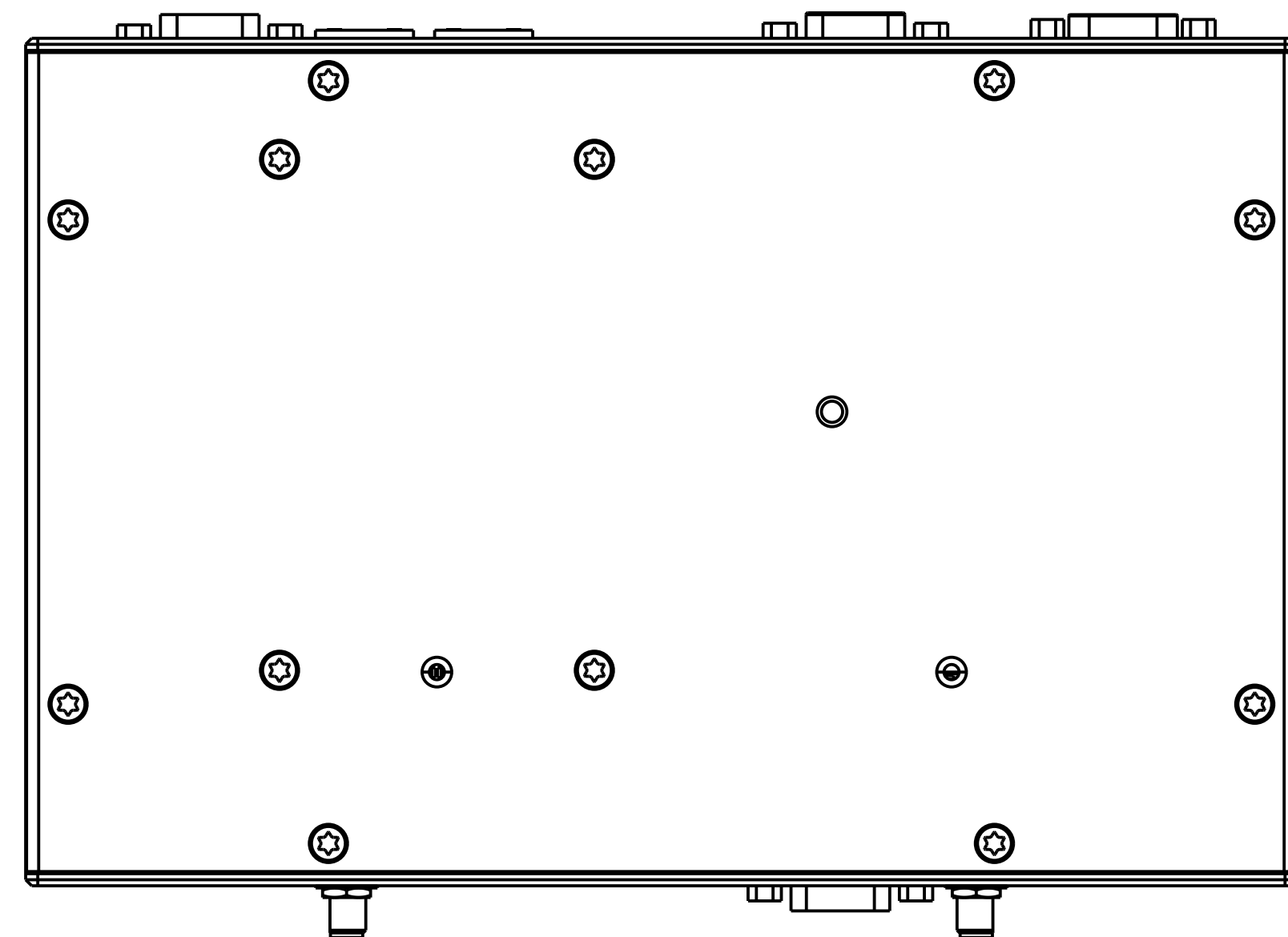
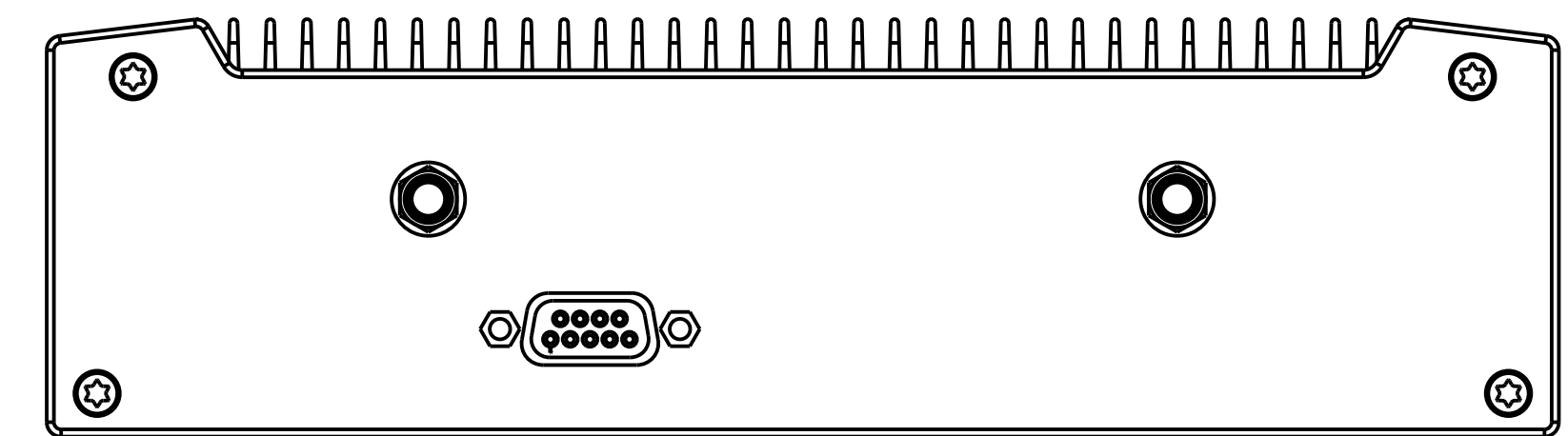
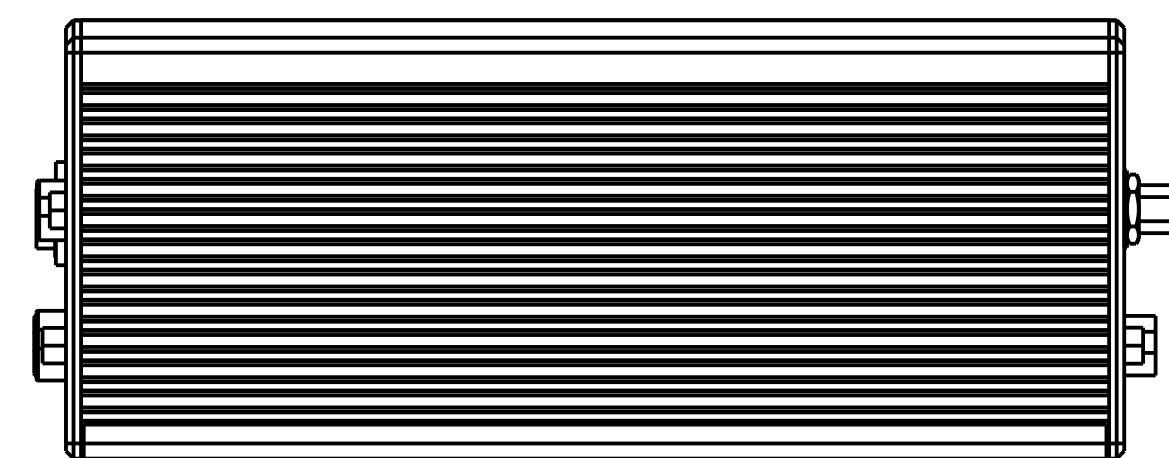
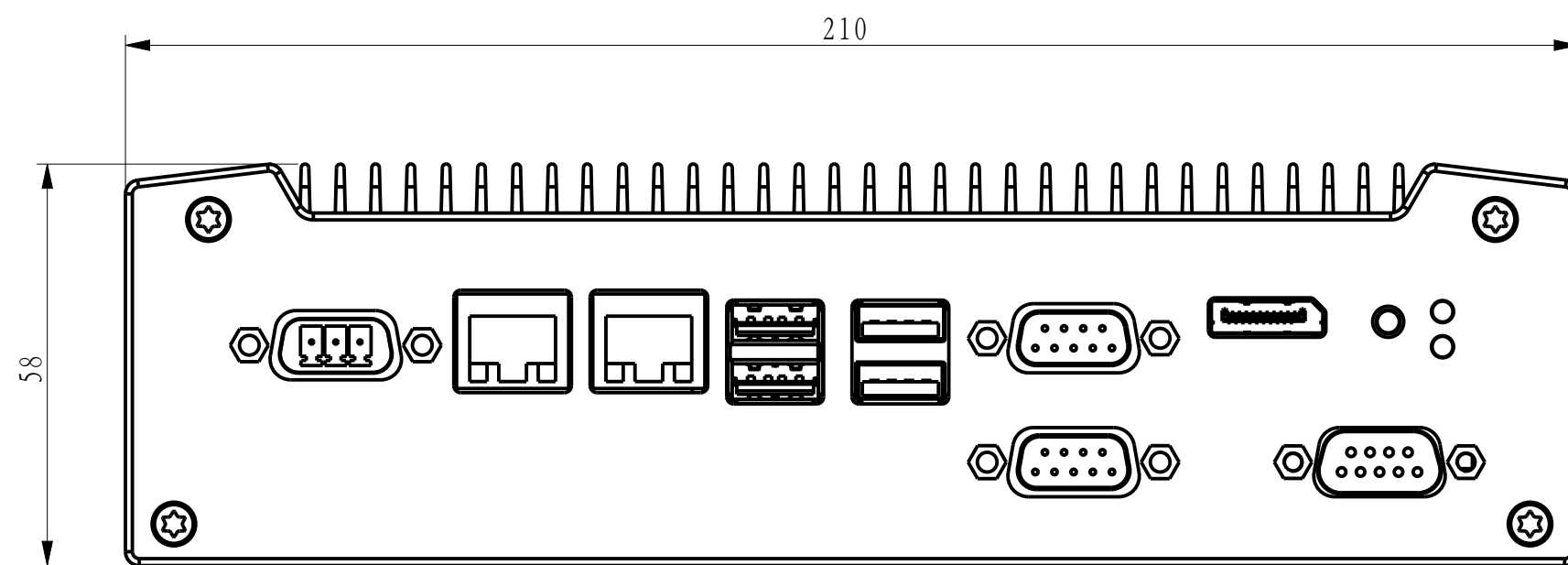
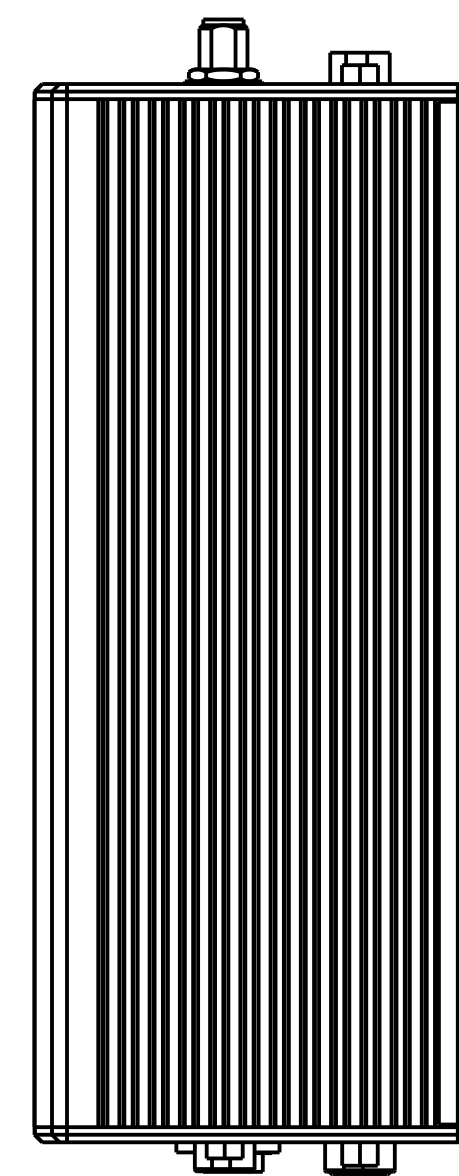
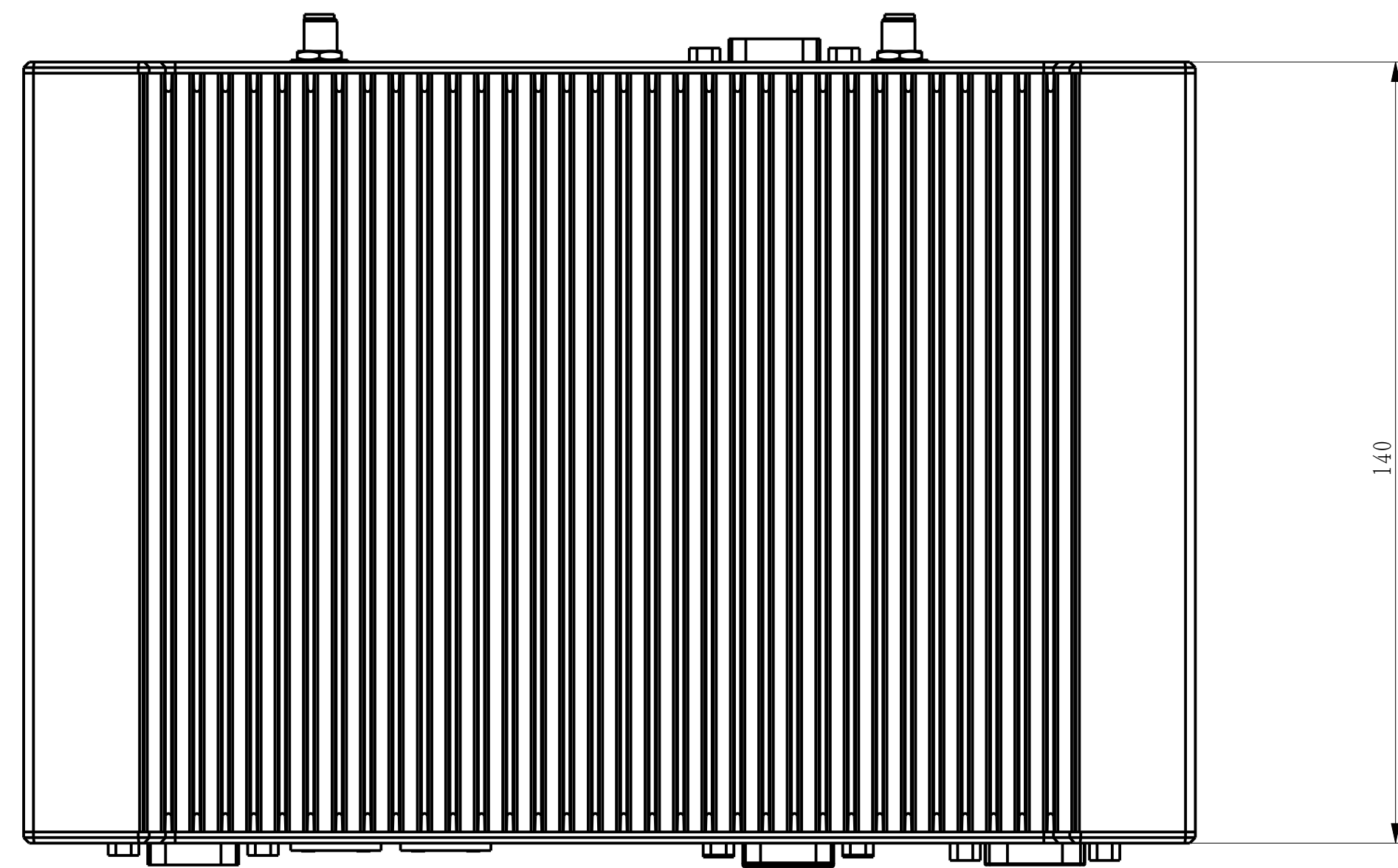
4

3

2

1

REVISIONS					
PART NO.	LTR	ECO NO.	DESCRIPTION	DATE	APPROVED
			INITIAL RELEASE		



THIRD ANGLE PROJECTION			
UNLESS OTHERWISE SPECIFIED:			
DIMENSION UNITS ARE AS NOTED/PER NOTE 2 AND APPLY AFTER SURFACE TREATMENT			
TOLERANCES			
MM	LINEAR	INCHES	ANGULAR
I	±0.25/±0.1	±.01	EXCL. OF SHEET METAL FLANGES ±.50°
1.I	±0.3	.XX	±.01
3.XX	±0.15	.XXX	±.005
HOLE DIAMETERS			
	MM	INCHES	
	0.34 - 4.35	+0.13 - 0.03	.013 - .250 +.005 - .001
	6.37 - 12.70	+0.13 - 0.03	.251 - .500 +.006 - .001
	12.72 - 25.40	+0.25 - 0.03	.501 - 1.000 +.010 - .001

MODEL FILE NAME: KBOX_TOTAL_ASSY		DRAWING FILE NAME: KBOX_OUTLINE_DRAWING	
DECIMALS:	ANGLES:	CAD GENERATED DRAWING, DO NOT MANUALLY UPDATE	
		APPROVALS	DATE
		DESIGN	13-Aug-15
		Checked	
		Engineer	
MATERIAL:			
FINISH:			
QUANTITY:	PCS/SET		
SIZE	DRAWING NO.	REV	
D	902-0001-00	A	
SCALE:	1:1	PROJECT NO.	902-0001-00
			SHEET 1 OF 4

8

7

6

5

4

3

2

1

D

C

B

DATE OF CHG

CHG NO.

REV #

REV

A

902-0001-00

A

1

8

7

6

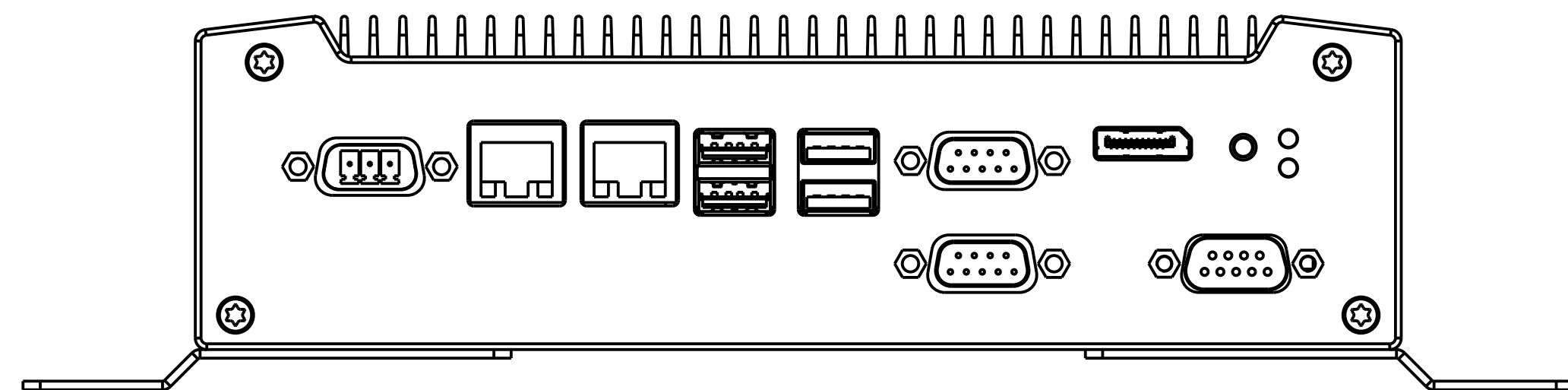
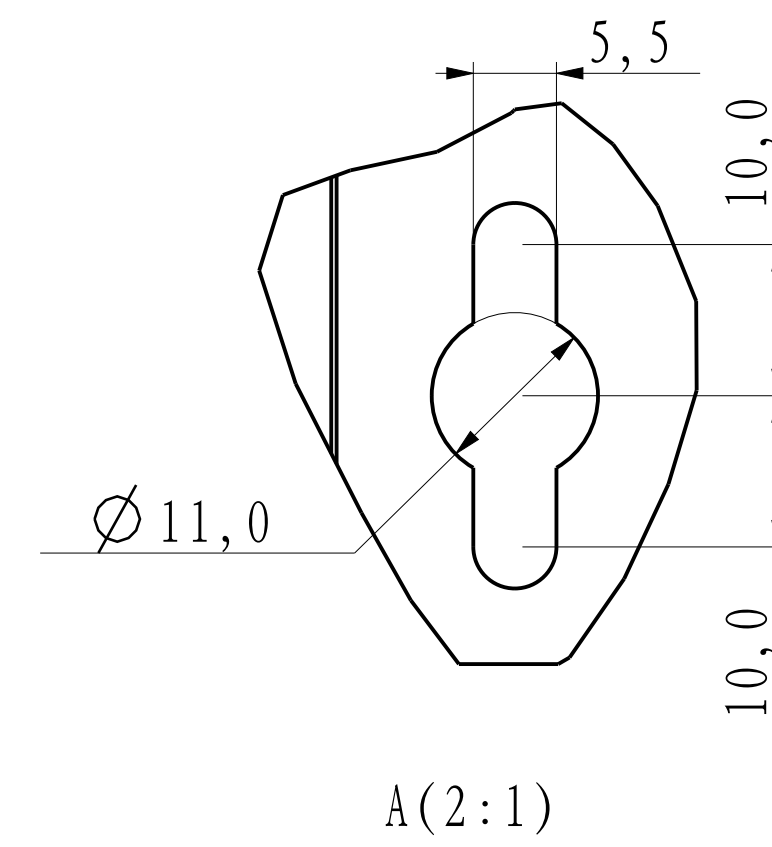
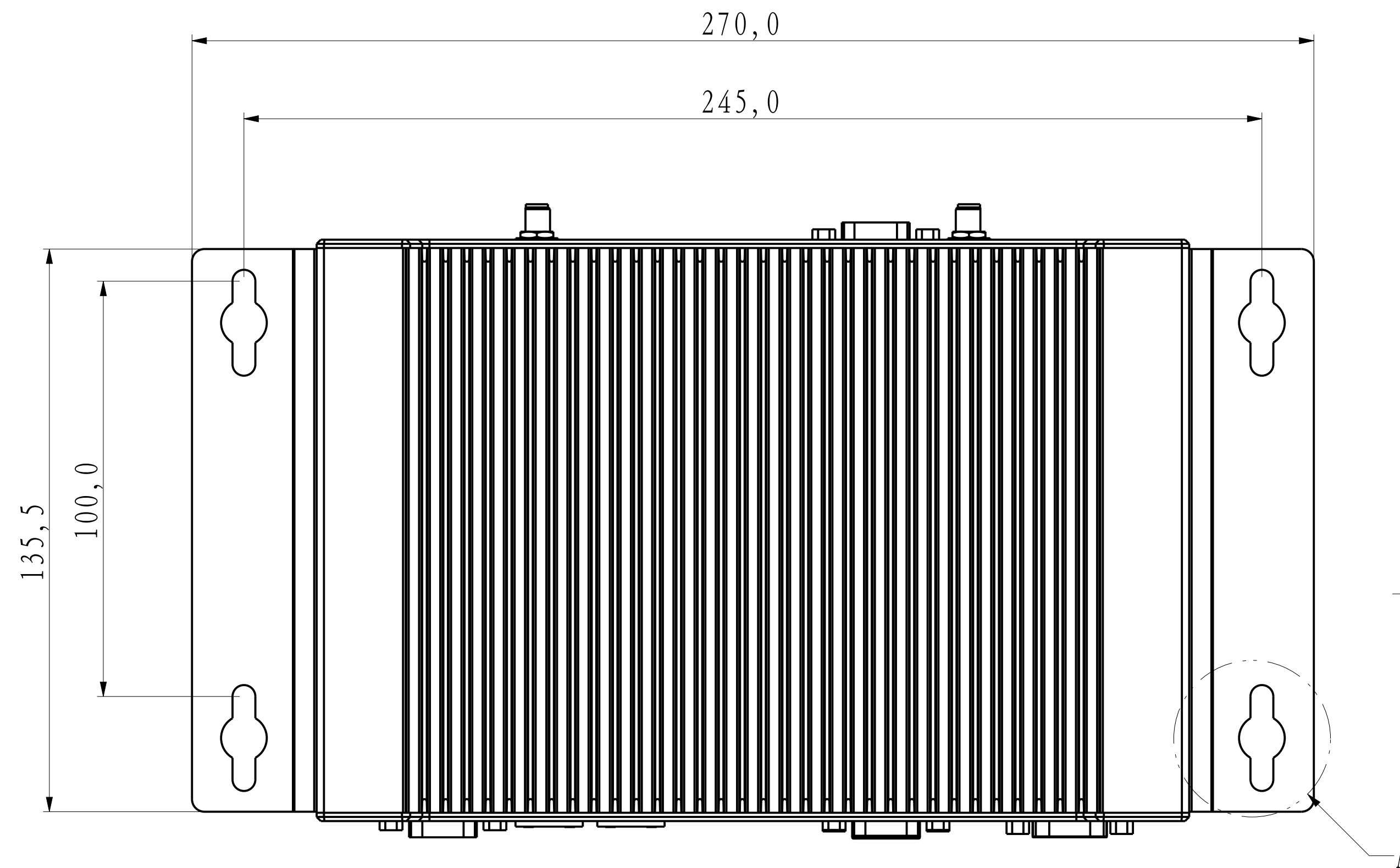
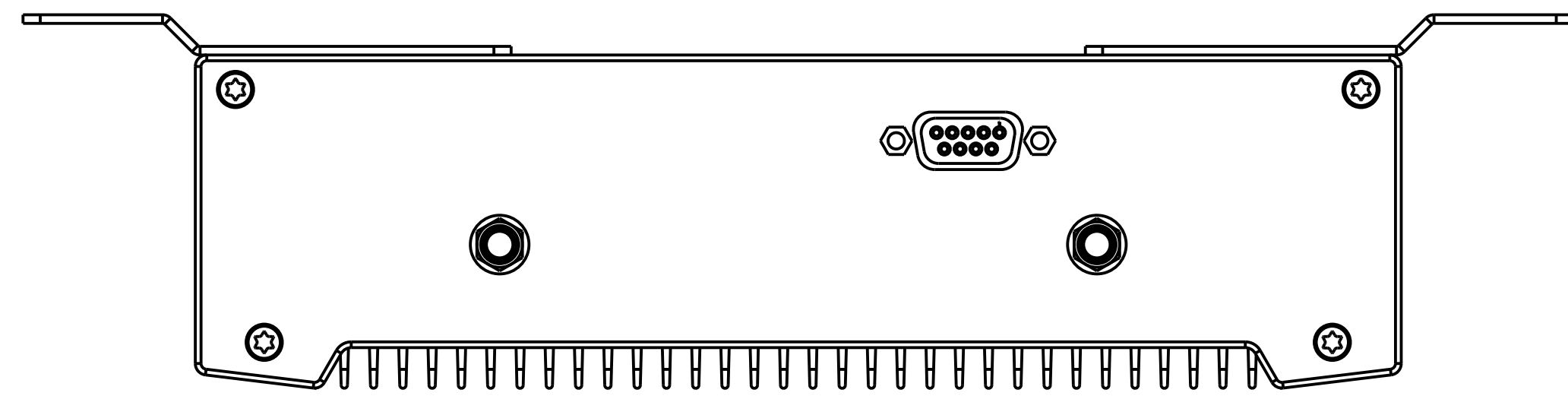
5

4

3

2

1



8

7

6

5

4

3

2

1



SIZE	DRAWING NO.	REV.
D	902-0001-00	A
SCALE:	PROJECT NO.	SHEET 2 OF 4
1:1	KBox A-101	1

8

7

6

5

4

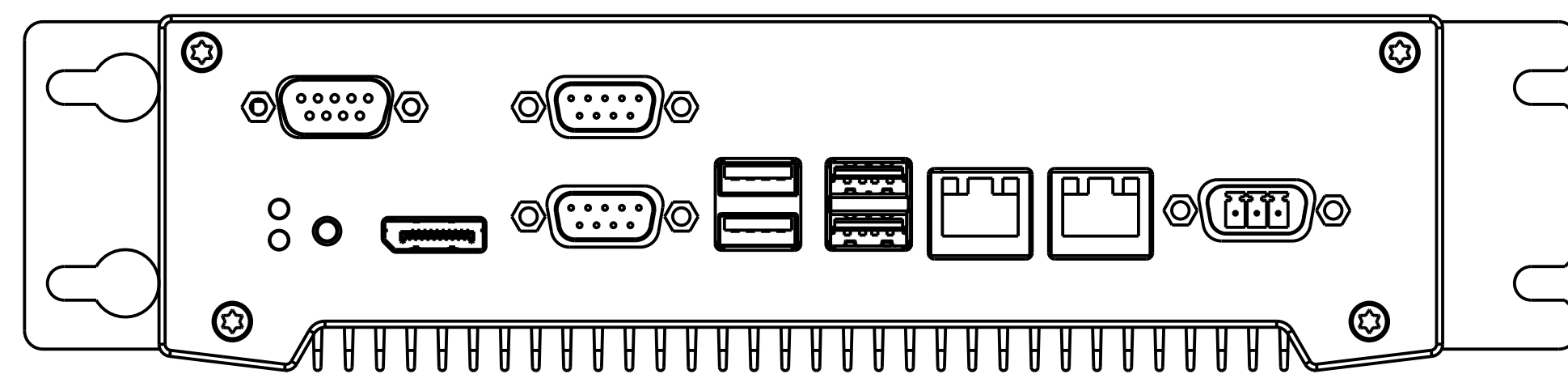
3

2

1

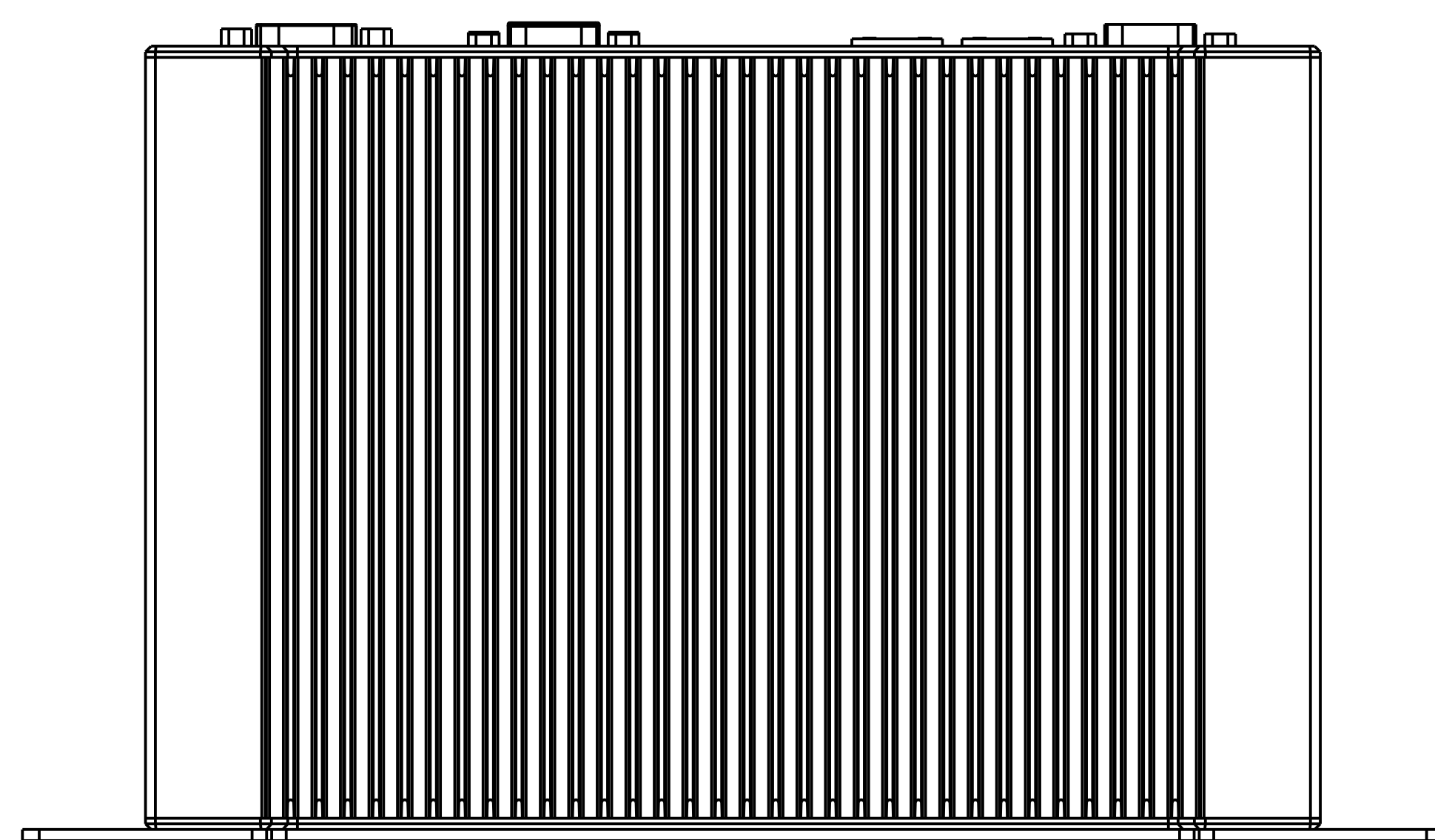
D

D



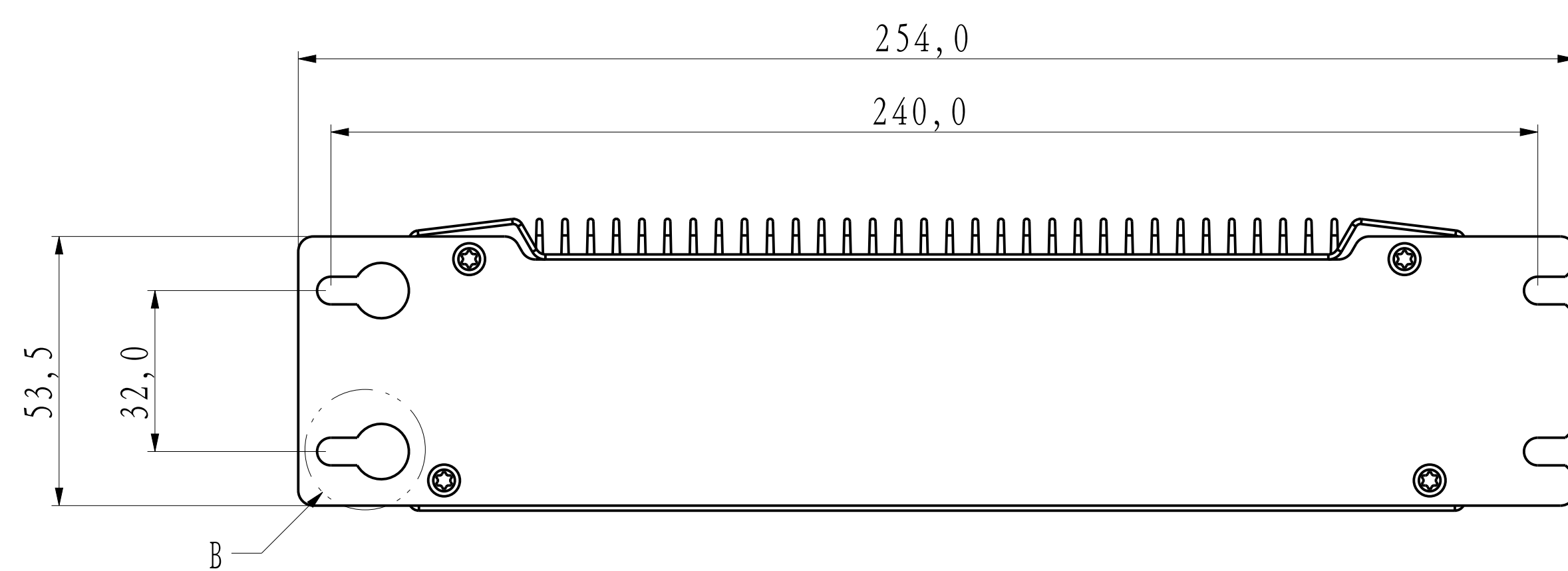
C

C



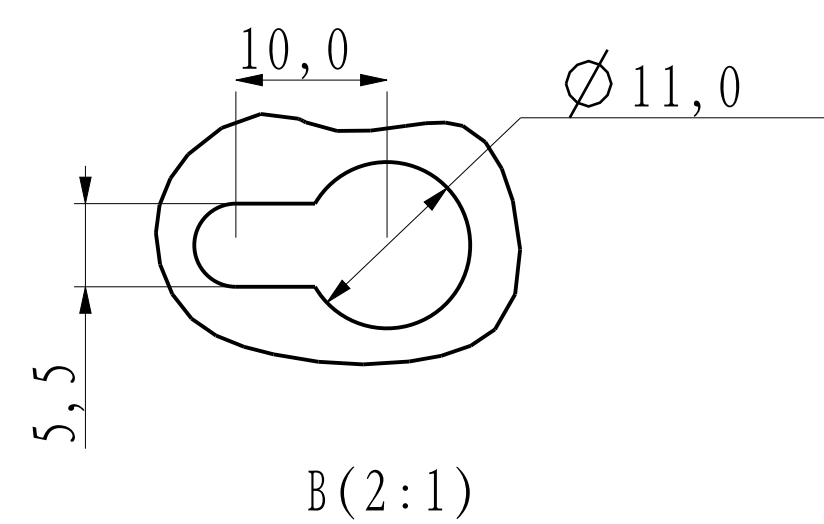
B

B



A

A



8

7

6

5

4

3

2

1

 <small>KONTRON ASIA PACIFIC DESIGN SDN BHD</small>		
SIZE D	DRAWING NO. 902-0001-00	REV A
SCALE: 1:1	PROJECT NO. KBox A-101	SHEET 3 OF 4

8

7

6

5

4

3

2

1

D

D

C

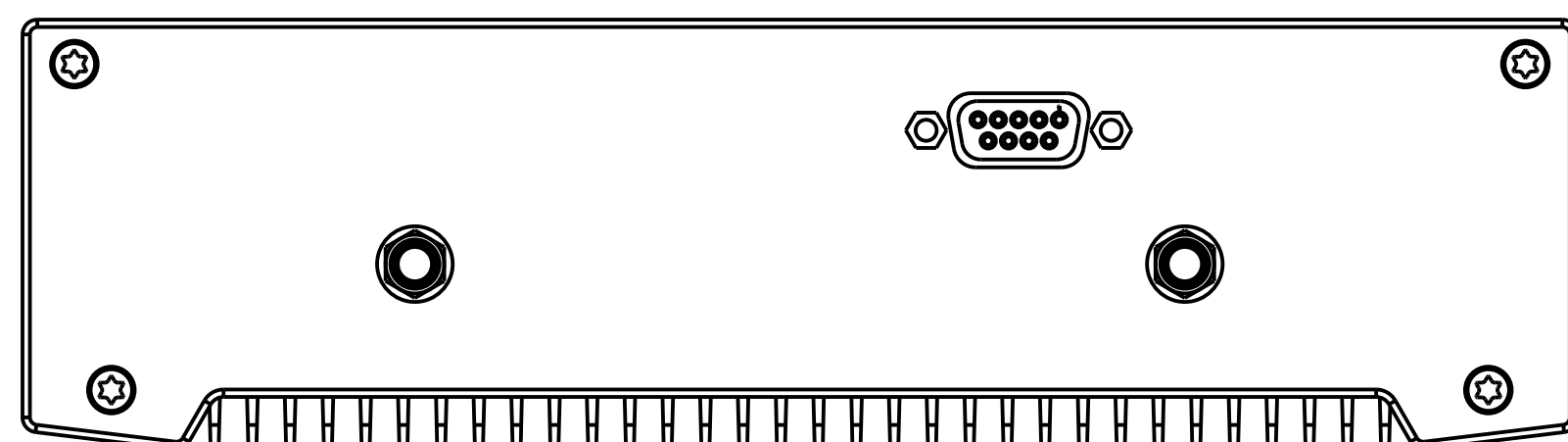
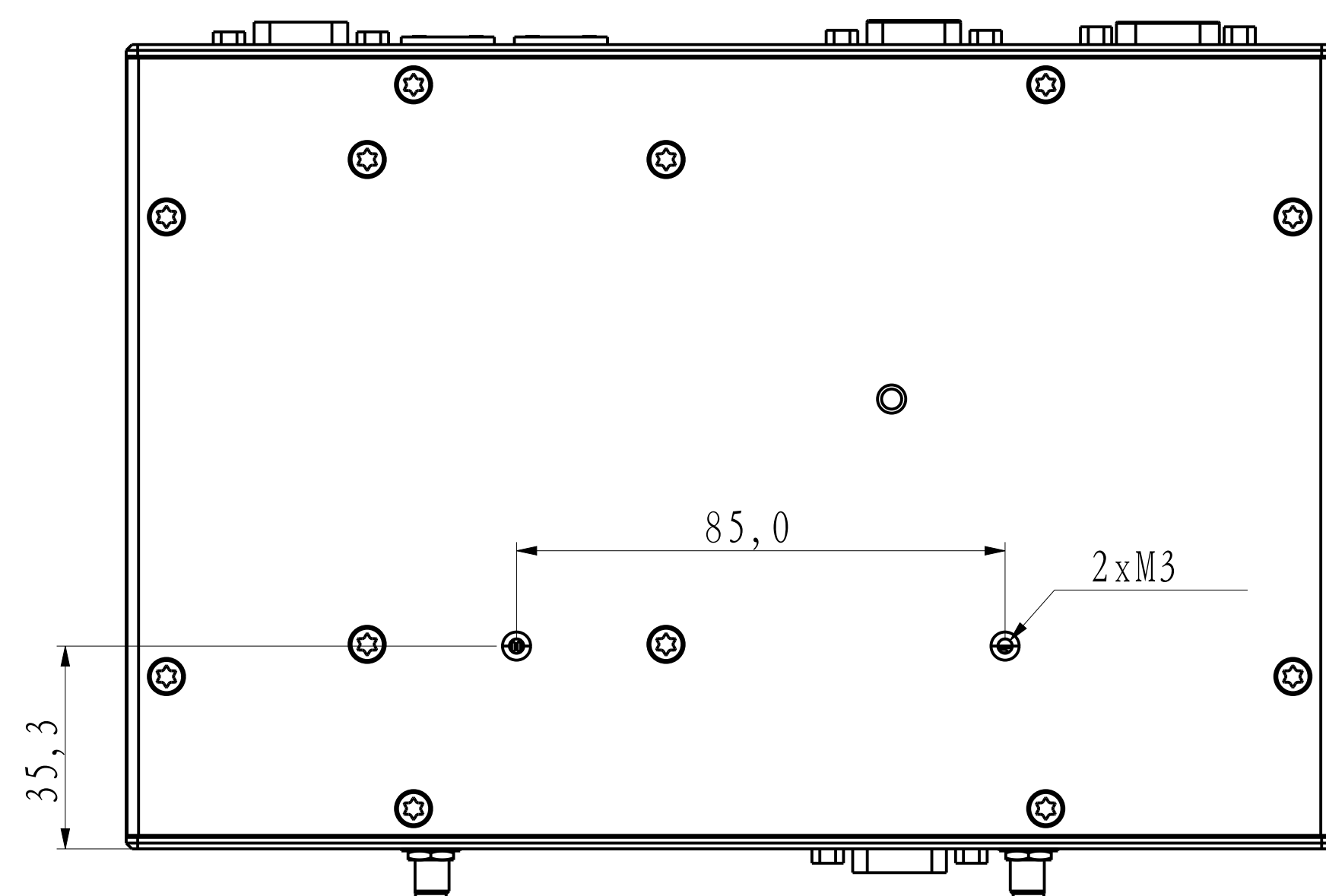
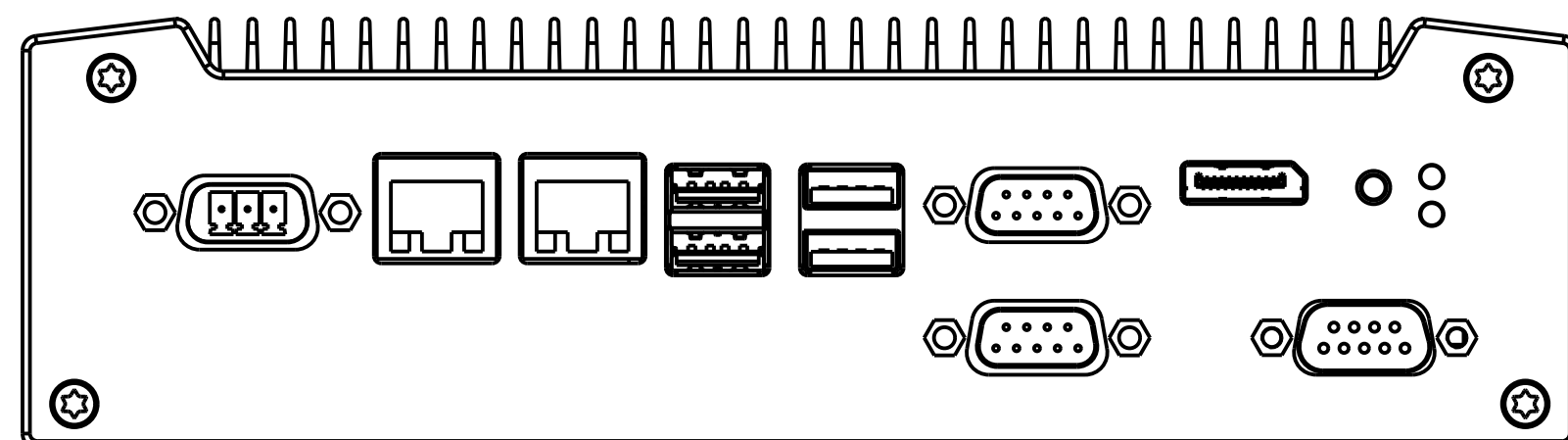
C

B

B

A

A



8

7

6

5

4

3

2

1



SIZE	DRAWING NO.	REV.
D	902-0001-00	A
SCALE: 1:1	PROJECT NO. KBox A-101	SHEET 4 OF 4