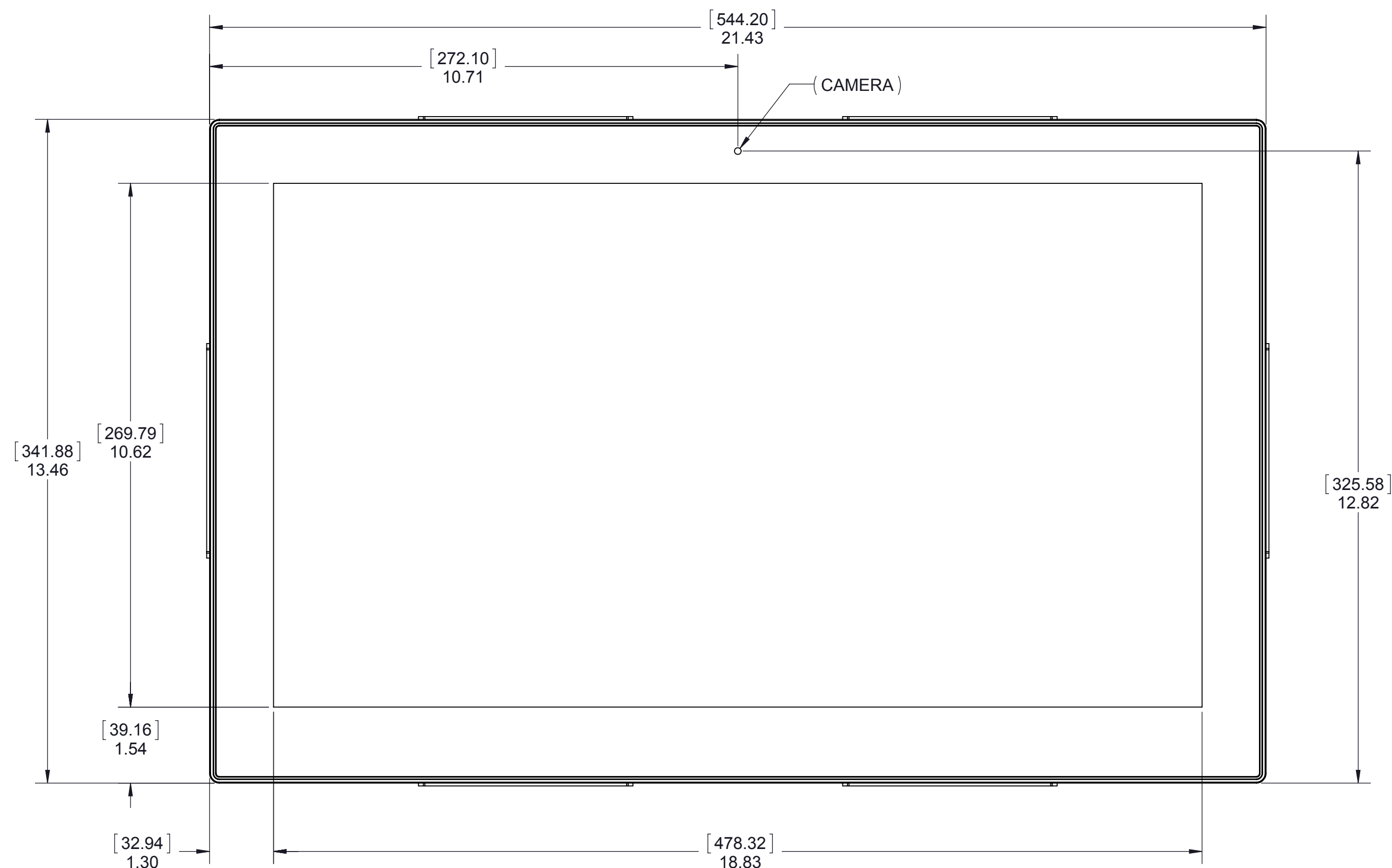
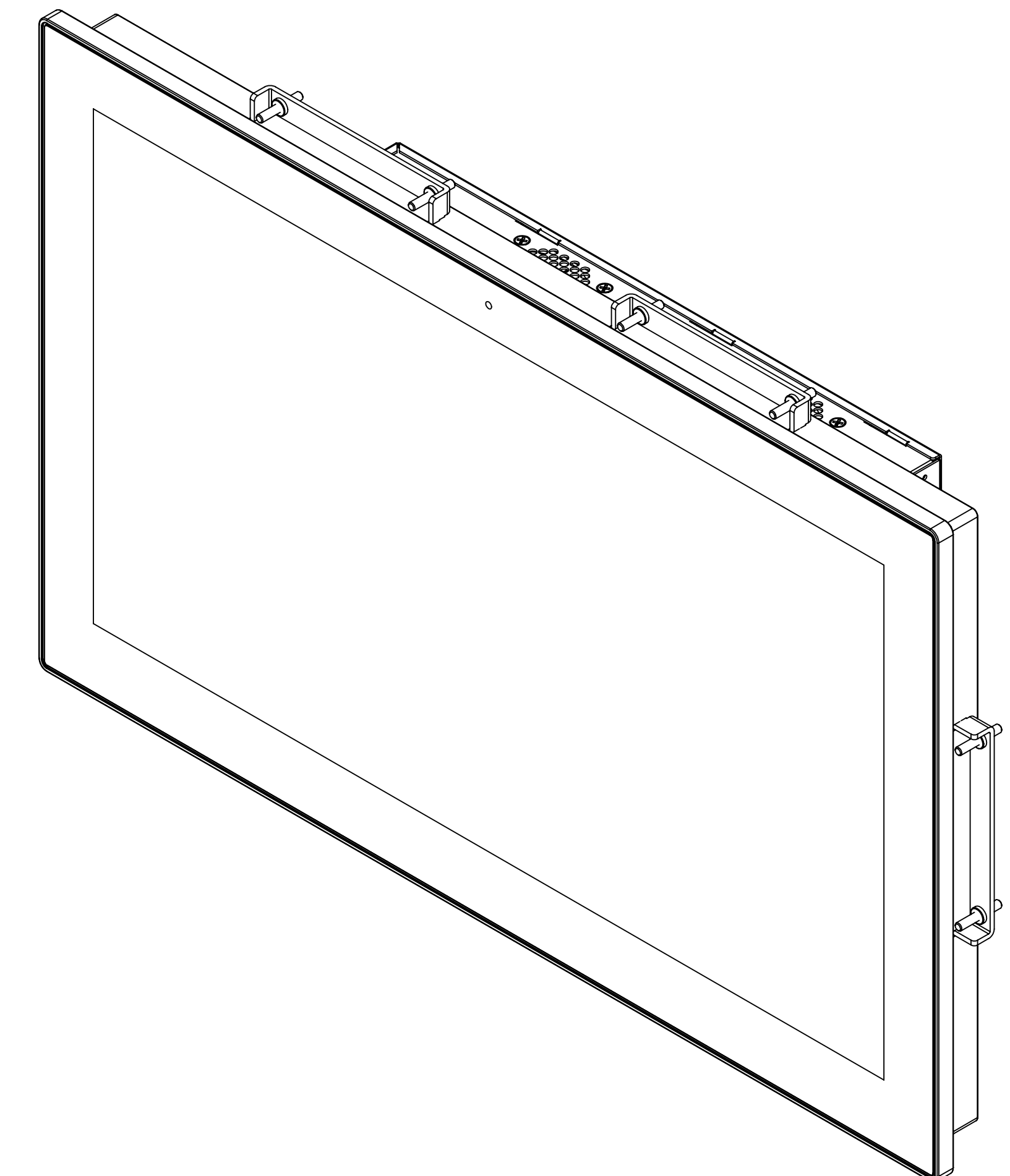
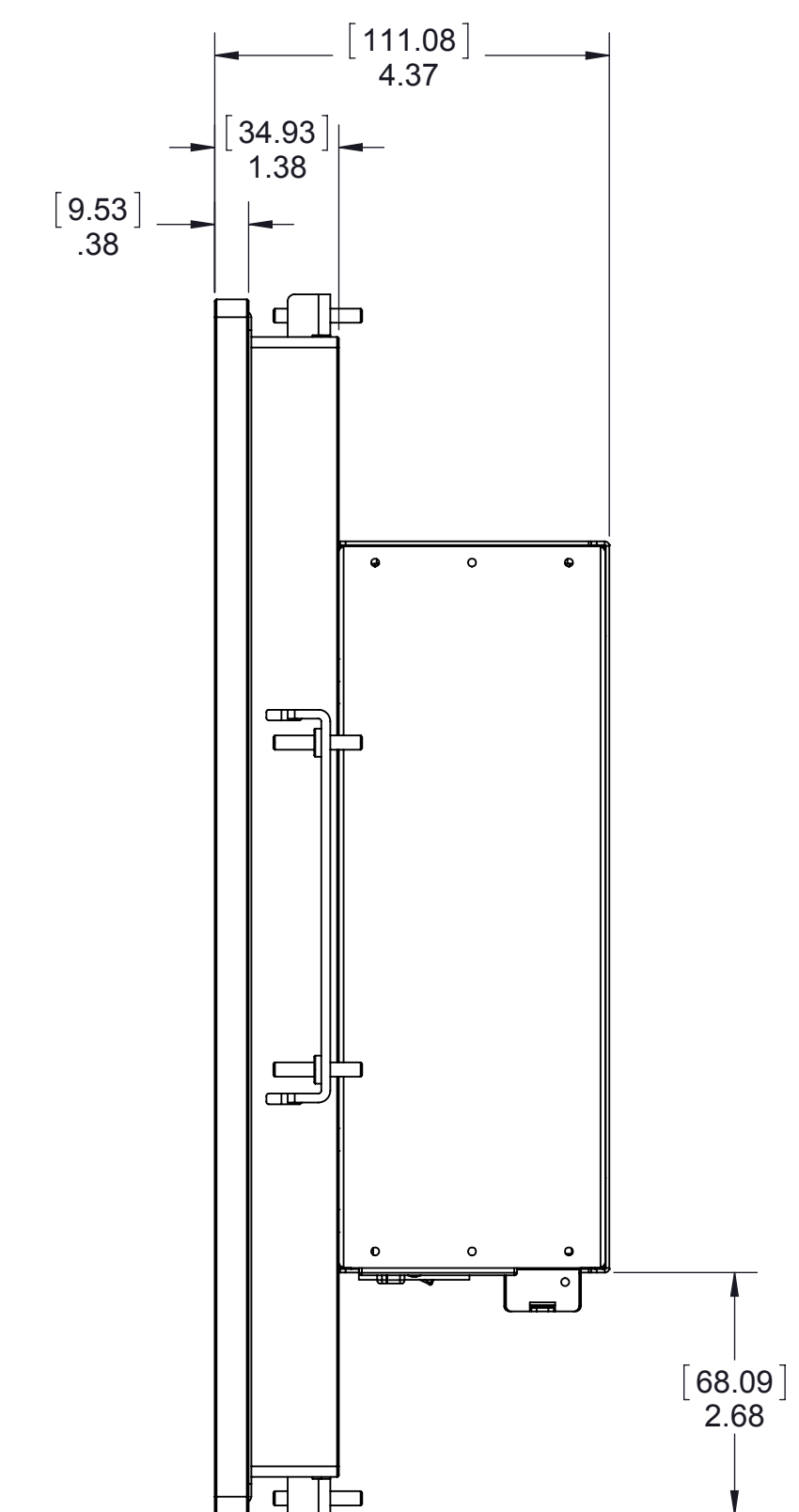


| REVISIONS | | | | |
|-----------|---------|----------------------|----------|----------|
| LTR | ECO NO. | DESCRIPTION | DATE | APPROVED |
| - | | PROTODUCTION RELEASE | 10/23/12 | JMV |



FRONT VIEW



-1 OUTLINE

NOTES: UNLESS OTHERWISE SPECIFIED.

1. DIMENSIONS ARE FOR REFERENCE ONLY, DO NOT APPLY TOLERANCE.
2. ESTIMATED WEIGHT: 24.5 LBS
3. AC INPUT POWER VERSION: 90-260VAC, 50-60Hz, SINGLE PHASE, 150 WATTS MAX.
DC INPUT POWER VERSION: 20-28VDC, 150 WATTS MAX.

COMPANY CONFIDENTIAL
THIS DRAWING IS PROPRIETARY TO *Kontron America* AND MAY NOT BE UTILIZED IN ANY MEANS, ELECTRONICS OR MECHANICAL, INCLUDING PHOTOCOPYING AND RETRIEVAL SYSTEM WITHOUT EXPRESS WRITTEN PERMISSION OF *Kontron America*.

| | | | | |
|--|-----------|---|------------------|--------------|
| SOURCE MODEL FILE NAME: | | SOLIDWORKS SOURCE PROPERTY REV : | | |
| UNLESS OTHERWISE SPECIFIED DIMENSIONS ARE IN INCHES (mm) TOLERANCES ARE: | | CAD GENERATED DRAWING, DO NOT MANUALLY UPDATE | | |
| DECIMALS: | ANGLES: | APPROVALS | DATE | |
| .X ± .1 | .X° ± .5° | DRAWN JMV | 01/17/12 | |
| .XX ± .03 | | CHECKED | | |
| .XXX ± .010 | | ENGINEER | | |
| MATERIAL | | MFG ENG | | |
| FINISH | | QUAL ENG | | |
| | | SIZE | DRAWING NO. | REV |
| | | D | - | - |
| | | SCALE: NONE | PROJECT NO. NONE | SHEET 1 OF 3 |



8

7

6

5

4

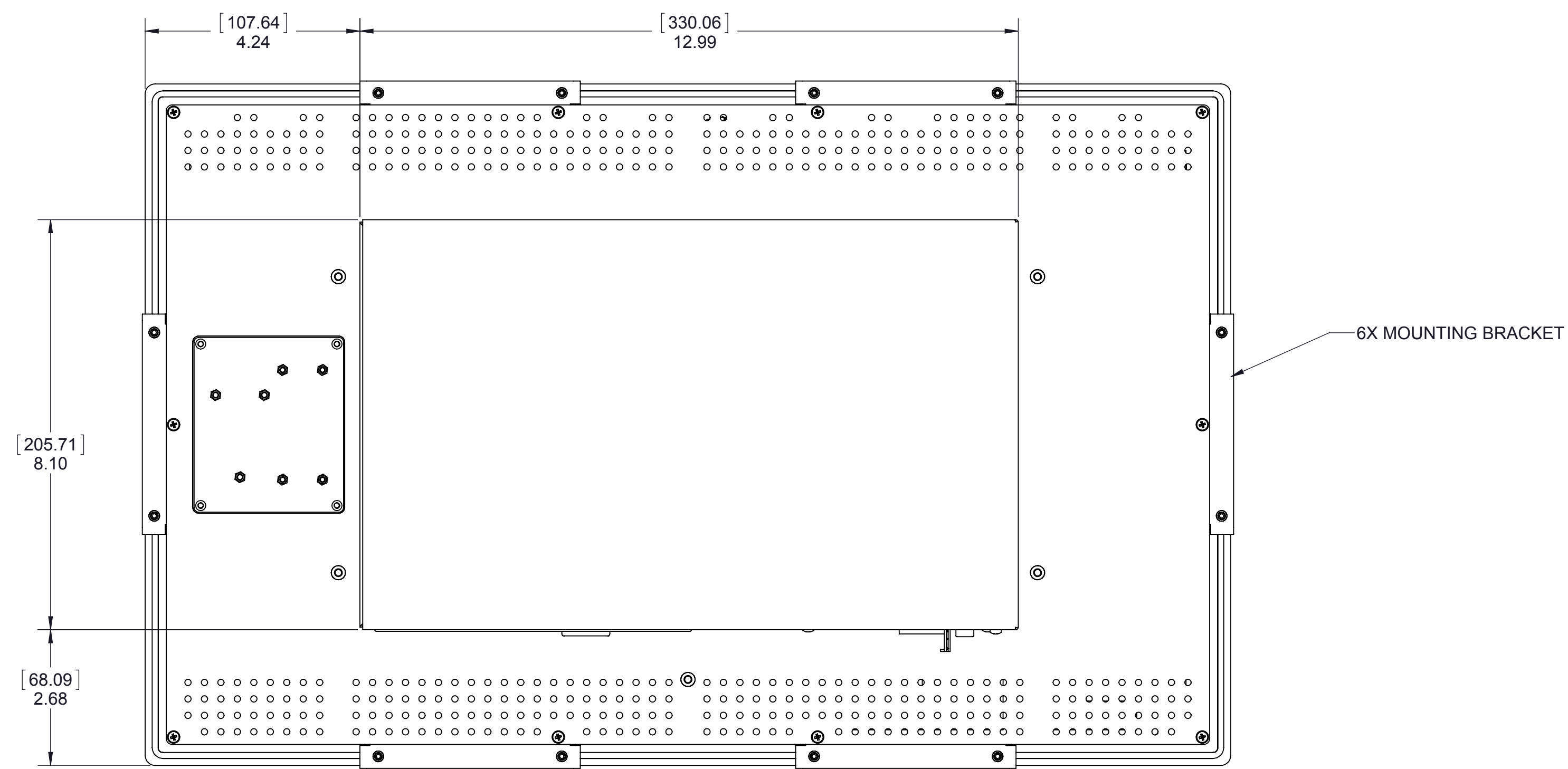
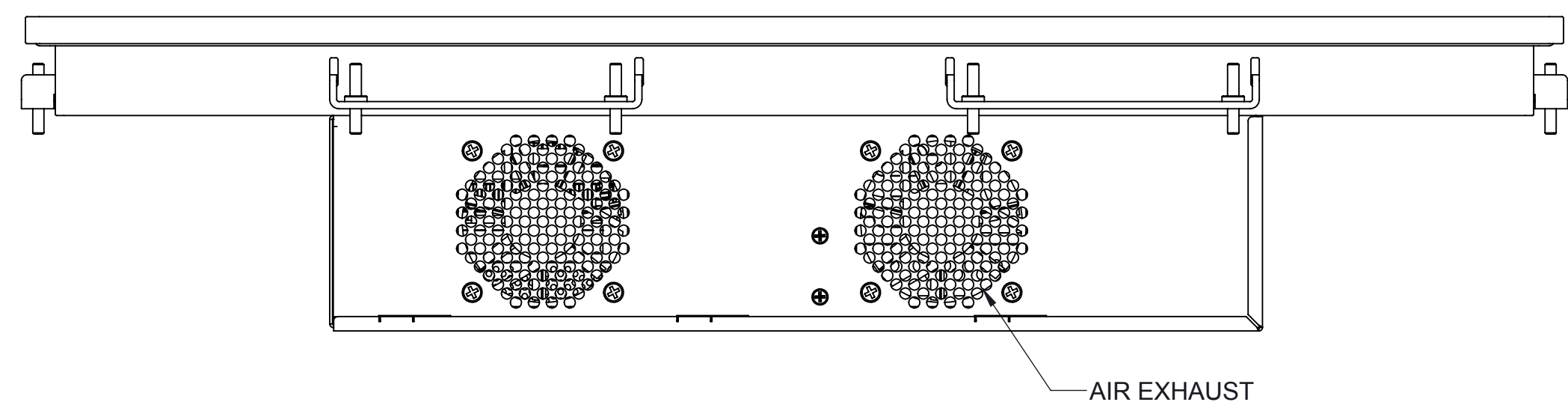
3

2

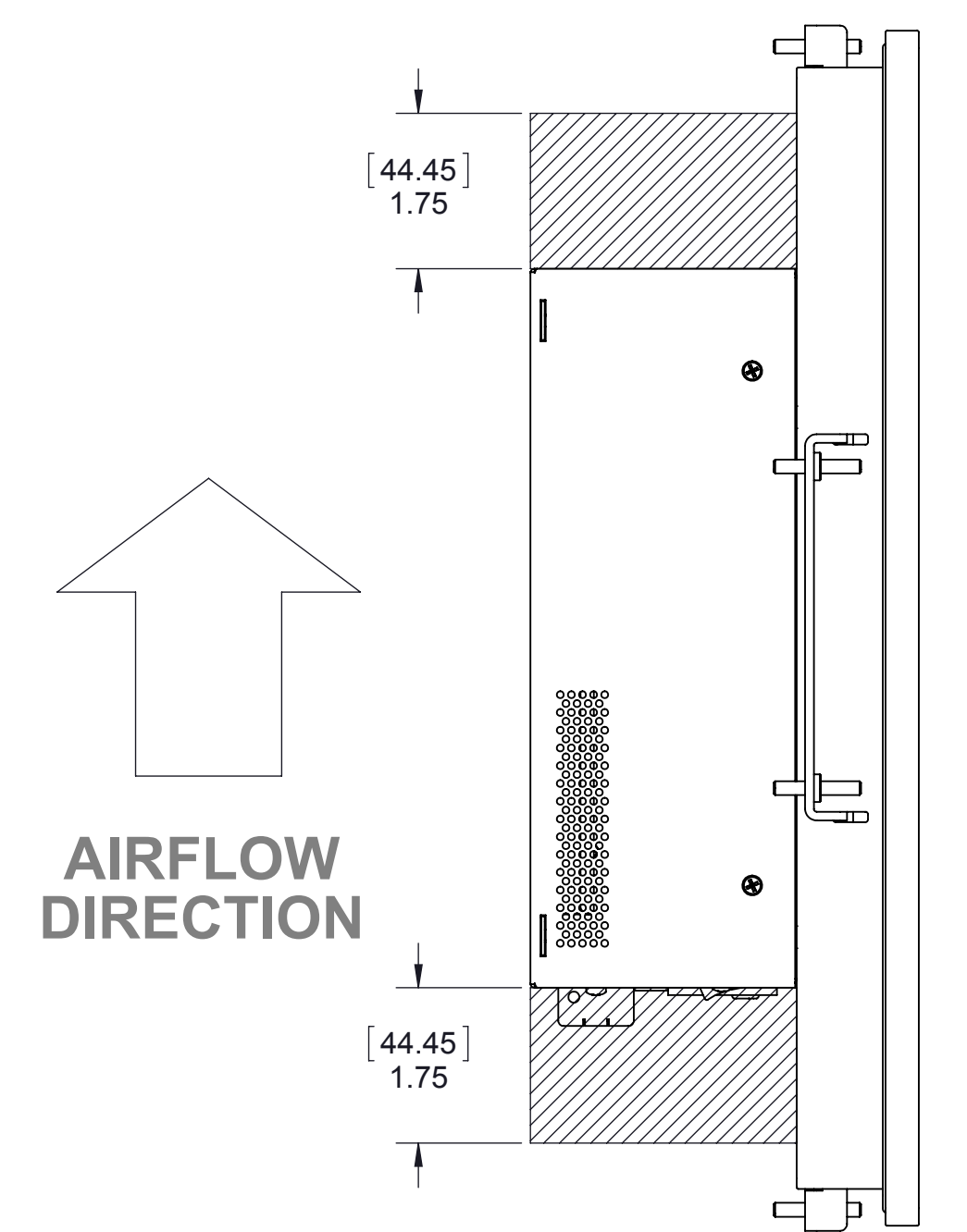
1

D

D

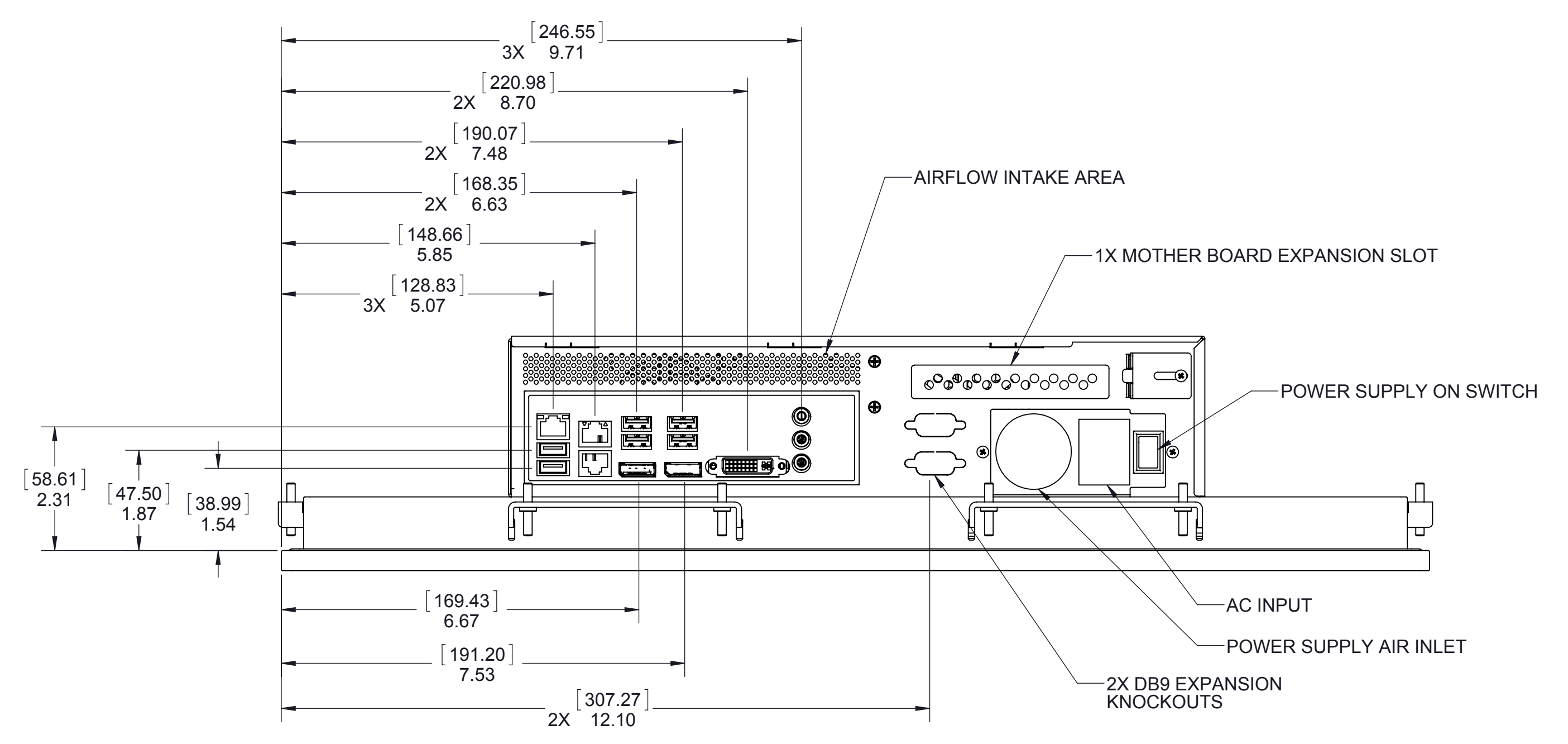


REAR VIEW



AIRFLOW DIRECTION

HATCHED AREAS TO BE KEPT CLEAR FOR AIRFLOW AND CABLE ACCESS



B

B

A

A

8

7

6

5

4

3

2

1

| | | |
|-------------|------------------|--------------|
| SIZE | DRAWING NO. | REV |
| D | - | - |
| SCALE: NONE | PROJECT NO. NONE | SHEET 2 OF 3 |

DATE OF CHG
CHG BY:
ECO #
REV.
DVG NO.

8

7

6

5

4

3

2

1

D

D

C

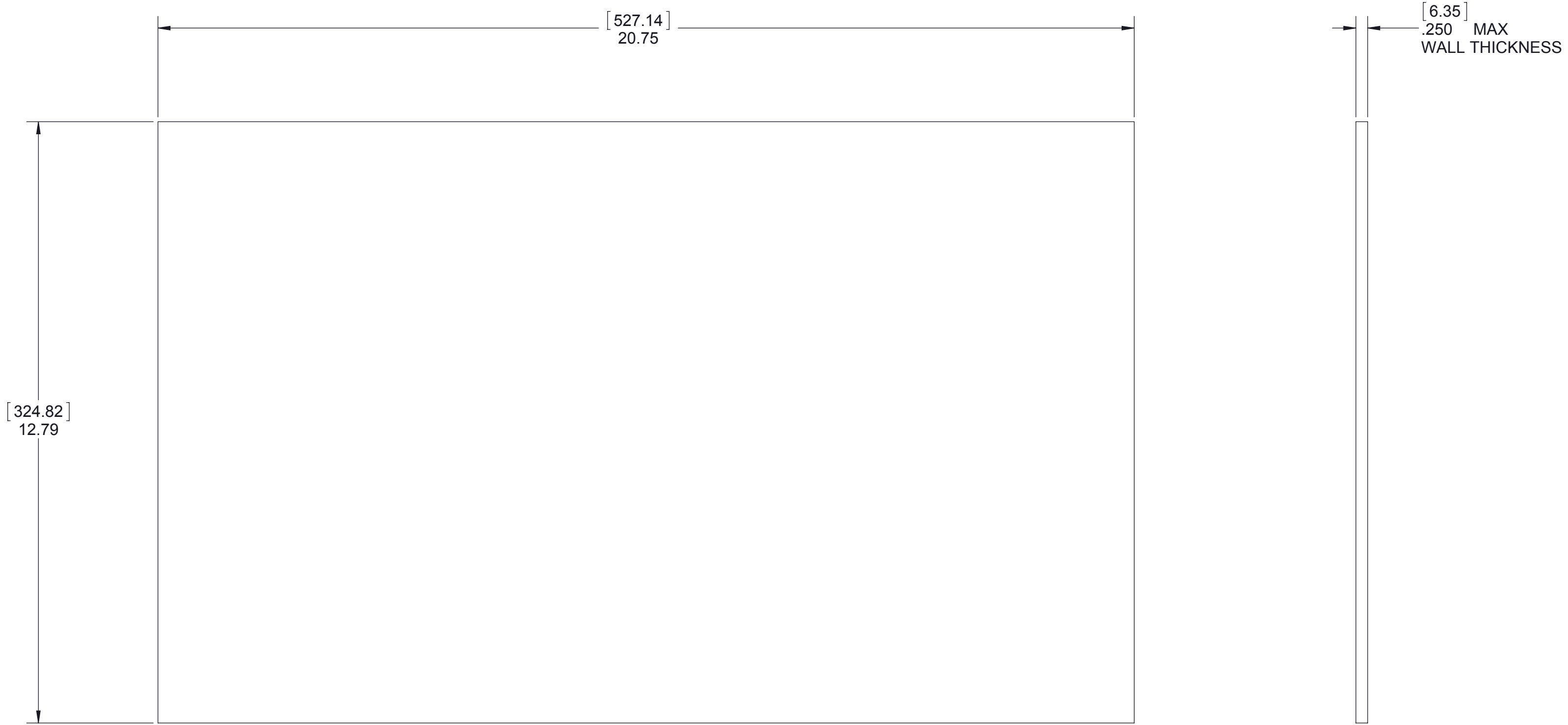
C

B

B

A

A



WALL MOUNTING CUTOUT



| | | |
|-------------|------------------|--------------|
| SIZE | DRAWING NO. | REV |
| D | - | - |
| SCALE: NONE | PROJECT NO. NONE | SHEET 3 OF 3 |

8

7

6

5

4

3

2

1