

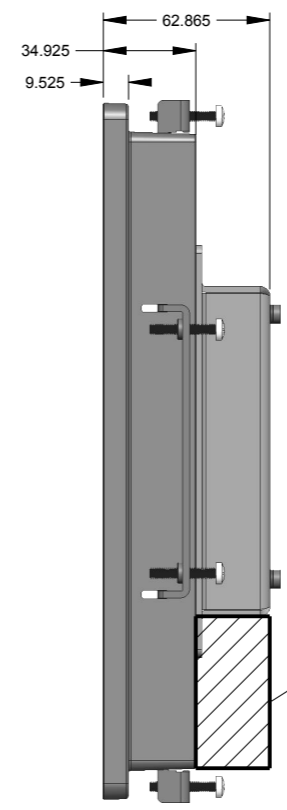
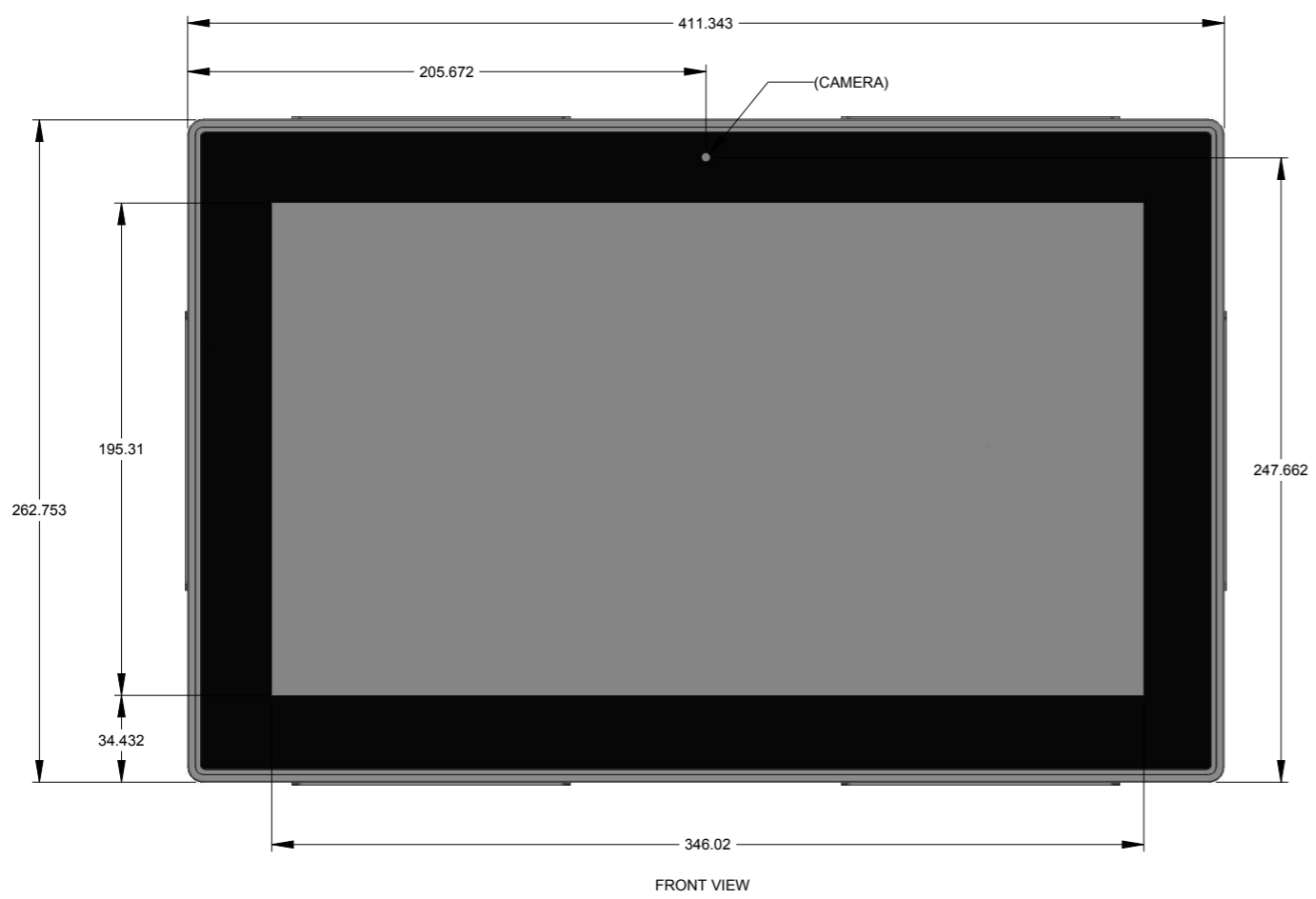
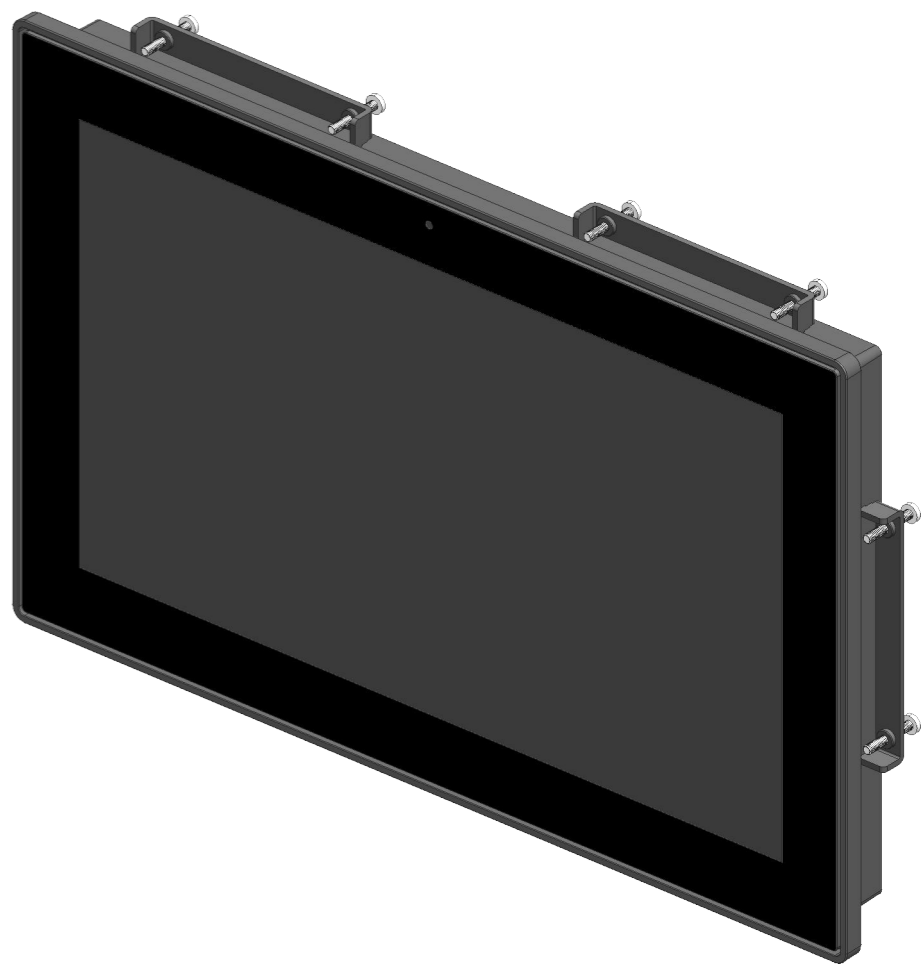
4

3

2

1

INDEX	PART NO	DESCRIPTION	QTY



FREE SPACE FOR CABLE CONNECTIONS

NOTES: UNLESS OTHERWISE SPECIFIED.
1. DIMENSIONS ARE FOR REFERENCE ONLY, DO NOT APPLY TOLERANCE.

-1 OUTLINE

REV	ECO	DESCRIPTION	DATE	DRAW	APPD
DRAWN		2014-01-22			
YBTANG					
CHECKED		2014-01-22			
STKHOR					
APPROVED		XXXX-XX-XX			
XXXX					
OTHER		XXXX-XX-XX			
XXXX					
TOLERANCES		UNLESS OTHERWISE SPECIFIED DIMENSION ARE IN MM		PART NO	
DECIMALS:		ANGLES:		PROJECT NO	
X.X ±0.75		±0.5°		KAI-1207300	
X.XX ±0.25				MATERIAL/FINISH	
X.XXX±0.125				-	
SITE/DIVISION		SCALE		SHEET	
ASIA PACIFIC		NTS		1/3	
		SIZE		DRAWING NUMBER	
		A3			
		3rd Angle Projection		REV.	
				-	

FORM#: FR0032 (2)
PROPRIETARY NOTE: This drawing is property of KONTRON. It is provided in confidence for evaluation purposes only and shall not be disclosed or used for evaluation purpose except as specified by contract between the recipient and KONTRON. Duplication of any portion of this data requires written authorization from KONTRON and shall include this notice.

4

3

2

1

A

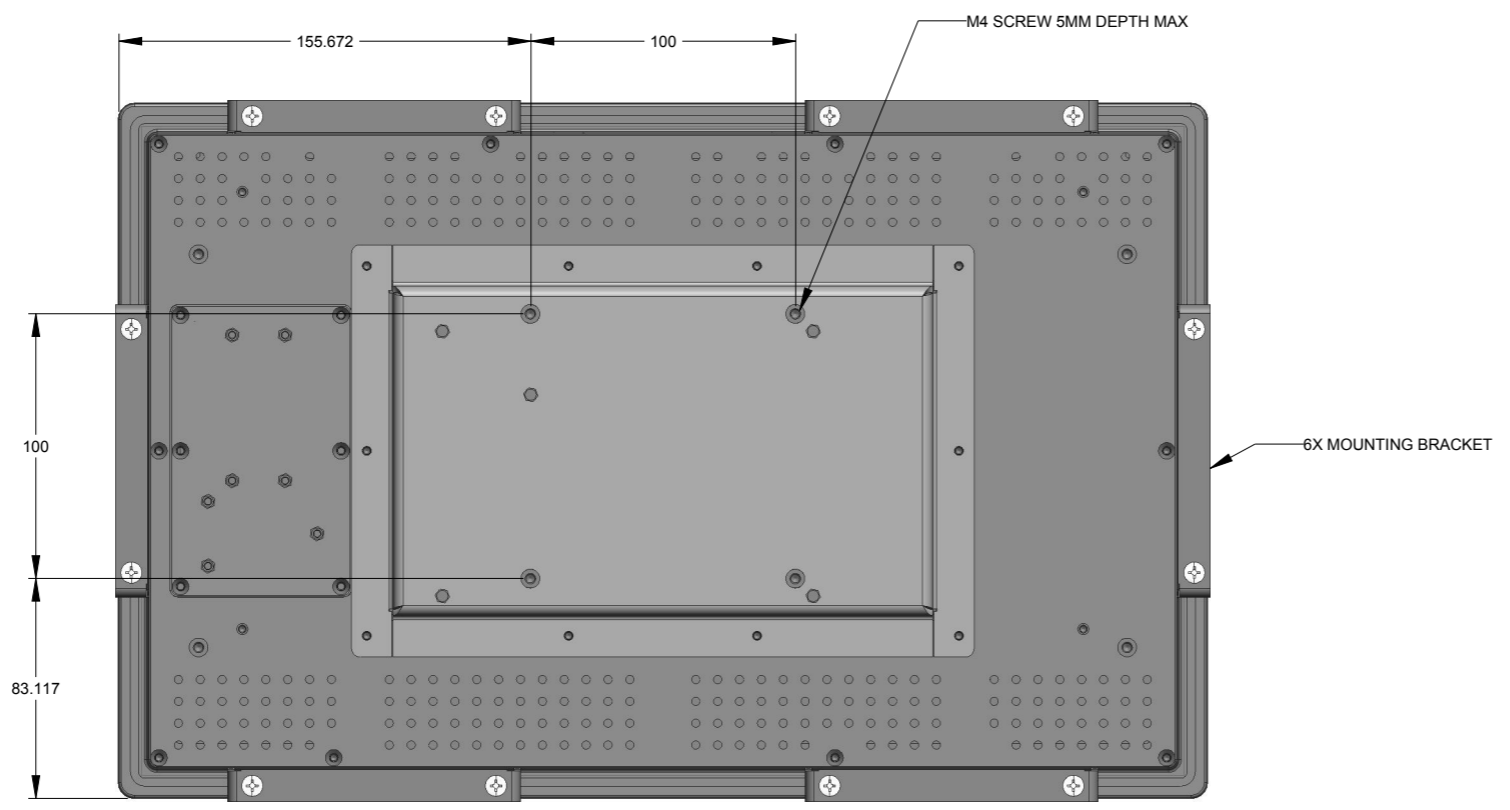
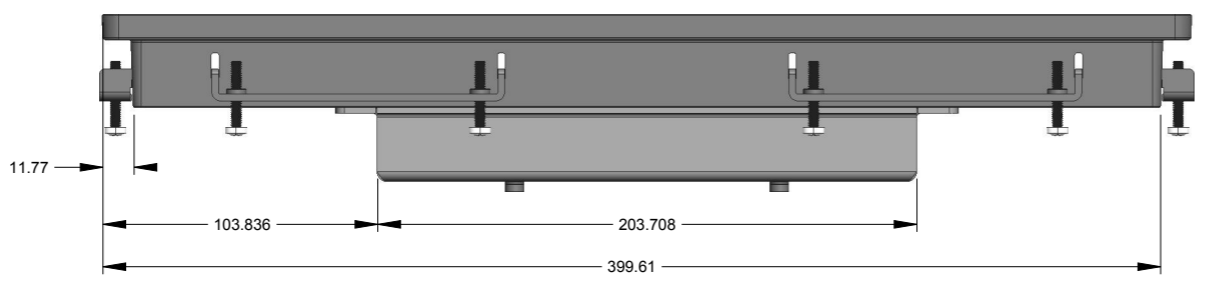


4

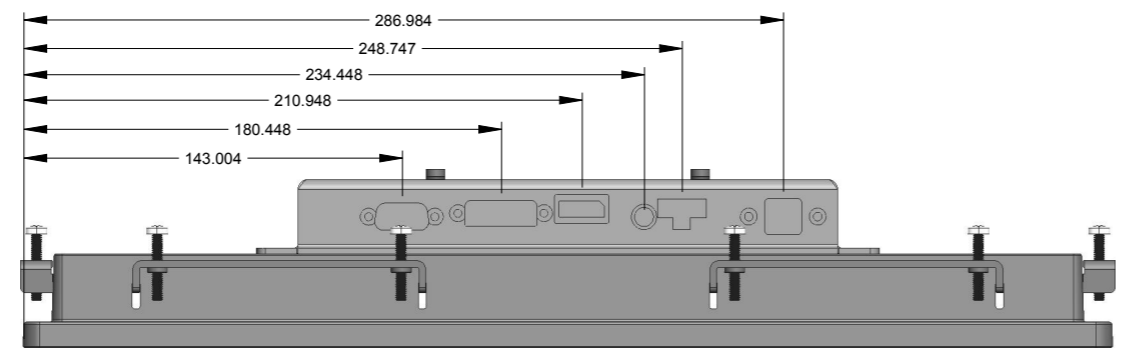
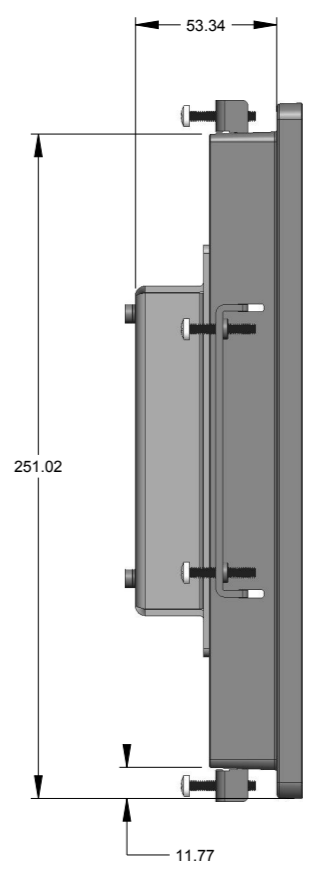
3

2

1



REAR VIEW



D

D

C

C

B

B

A

A



4

3

2

1

4

3

2

1

D

D

C

C

B

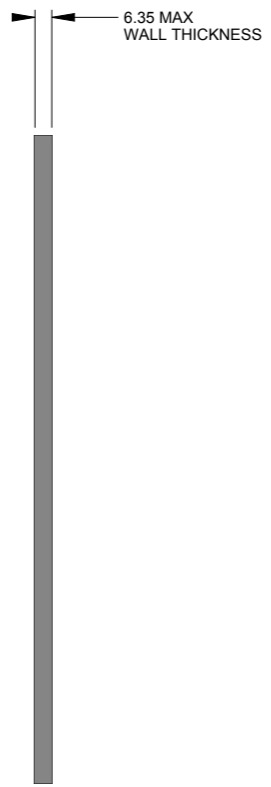
B

A

A



WALL MOUNTING CUTOUT



4

3

2

1